

W/ 2" x 4" SLATS

98-62 (6' BENCH)

W/ 3" x 4" SLATS

98-63 (6' BENCH)

NOTES

- 1.) ALL STL. MEMBERS COATED W/ ZINC RICH EPOXY THEN FINISHED W/ POLYESTER POWDER COATING.
- 2.) ALL WOOD MEMBERS TREATED W/ CLEAR PRESERVATIVE.
- 3.) 1/2" X 3 3/4" EXPANSION ANCHOR BOLTS PROVIDED.

WOOD OPTIONS

- CLEAR ALL HEART REDWOOD S4S EE
- 'C' & BTR. DOUGLAS FIR KD S4S EE
- OTHER _____



DuMor, inc.
P.O. Box 142 Mifflintown, PA 17059-0142

SCALE : NONE
DATE DRAWN : 11/15/94
DRAWN BY : AH
DATE REV. : 12/15/08
REV. BY : ESS

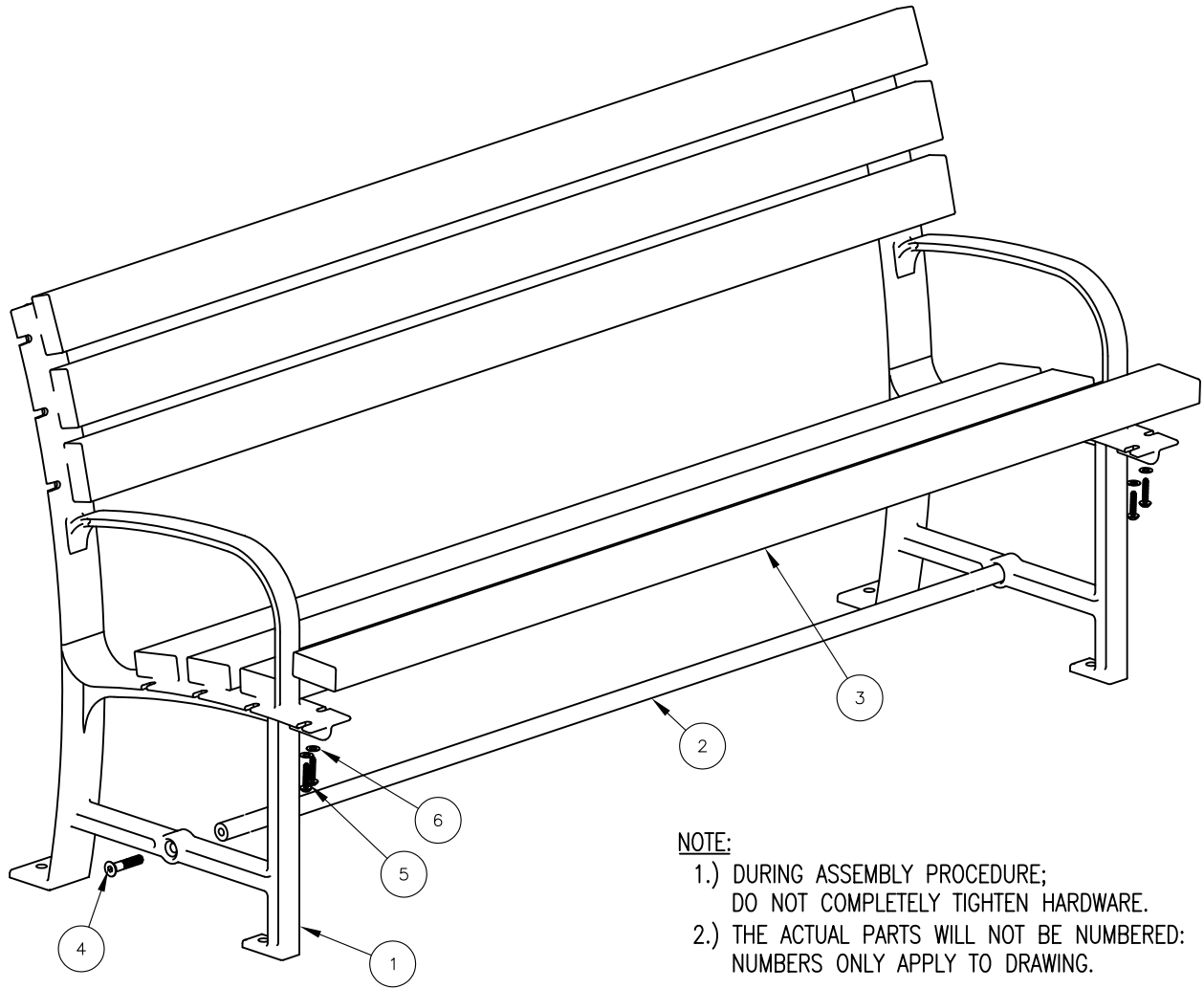
TITLE : BENCH

REV. D

DRAWING NUMBER

98-60

SHEET 1 OF 2



NOTE:

- 1.) DURING ASSEMBLY PROCEDURE;
DO NOT COMPLETELY TIGHTEN HARDWARE.
- 2.) THE ACTUAL PARTS WILL NOT BE NUMBERED;
NUMBERS ONLY APPLY TO DRAWING.

STEP 1:

USE 2 - PCS. CAST IRON SUPPORT (1)
 1 - PC. 63 7/8" PIPE BRACE (2)
 2 - PCS. 1/2" X 2 1/2" FLT. SKT. HD. CAP SCR. (4)
 ATTACH CAST IRON SUPPORT (1) TO 63 7/8" PIPE BRACE
 (2) USING HARDWARE (4). TIGHTEN TO SNUG FIT.

STEP 2:

USE 7 - PCS. 2" X 4" X 71" WOOD SLAT (3)
 28 - PCS. 5/16" X 1 1/2" SS. BTN. SKT. HD. LAG SCR. (5)
 28 - PCS. 5/16" SS. FLAT WASHER (6)
 ATTACH 2" X 4" X 71" WOOD SLAT (3) TO STEP 1 ASSEMBLY
 USING HARDWARE (5 & 6). TIGHTEN TO SNUG FIT. REPEAT
 UNTIL ALL SLATS ARE ATTACHED.

STEP 3:

UPON COMPLETION OF BENCH ASSEMBLY SQUARE
 ALL COMPONENTS THEN TIGHTEN ALL HARDWARE.

STEP 4:

MOUNT AND ANCHOR AS SPECIFIED.

ITEM	QTY	PART NO	DESCRIPTION
1	2	0-98-00-02	CAST IRON SUPPORT (98)
2	1	0-98-60-03	3/4" SCH 40 PIPE BRACE (63 7/8")
3	7	0-98-62-01	2" X 4" X 71" WOOD SLAT
4	2	1-12-065	1/2" X 2 1/2" FLT SKT HD CAP SCR
5	28	1-13-023	5/16" X 1 1/2" SS BTN SKT HD LAG
6	28	1-22-017	5/16" SS FLAT WASHER

DuMor, inc.
 P.O. Box 142 Mifflintown, PA 17059-0142

SCALE : NONE
 DATE DRAWN : 12/6/99
 DRAWN BY : JSB
 DATE REV. : 12/15/08
 REV. BY : ESS

TITLE : BENCH ASSEMBLY

REV. D DRAWING NUMBER 98-60

SHEET 2 OF 2