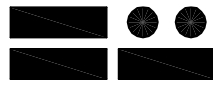


LENGTH OPTIONS

- 6' BENCH
- 8' BENCH

NOTES:

1.) ALL STL. MEMBERS COATED W/ ZINC RICH EPOXY THEN FINISHED W/ POLYESTER POWDER COATING.



DuMor, inc.

P.O. Box 142 Mifflintown, PA 17059-0142

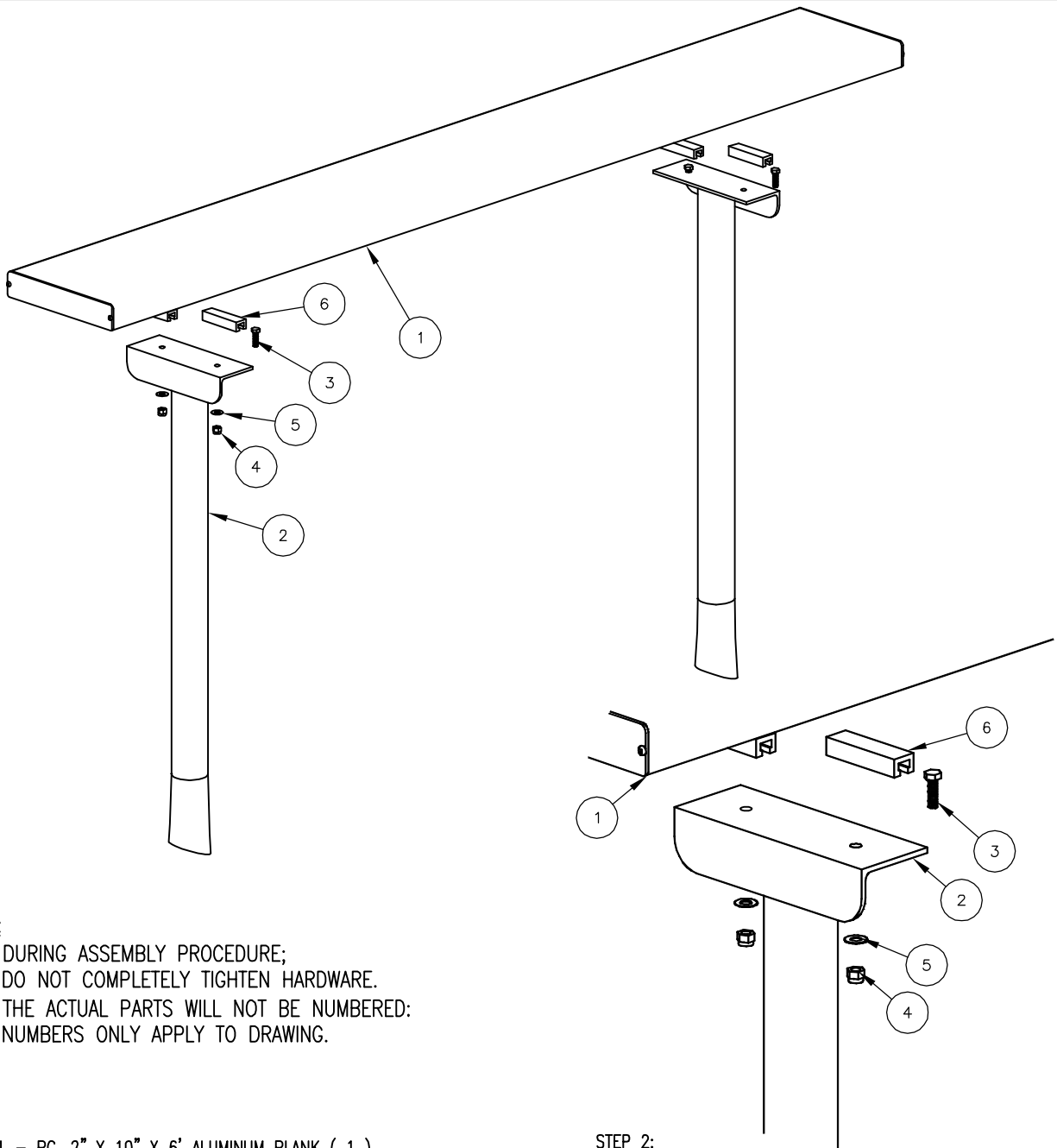
SCALE :	NONE
DATE DRAWN :	7/26/95
DRAWN BY :	AH
DATE REV. :	12/14/98
REV. BY :	JSB

TITLE : TEAM BENCH

REV. B

DRAWING NUMBER 99 SERIES A /S-1

SHEET 1 OF 2



NOTE:

- 1.) DURING ASSEMBLY PROCEDURE;
DO NOT COMPLETELY TIGHTEN HARDWARE.
- 2.) THE ACTUAL PARTS WILL NOT BE NUMBERED;
NUMBERS ONLY APPLY TO DRAWING.

STEP 1:

USE 1 - PC. 2" X 10" X 6' ALUMINUM PLANK (1)
 2 - PCS. SUPPORT FOR EMBEDMENT (2)
 4 - PCS. ALUMINUM CLIPS (6)
 4 - PCS. 5/16" X 1" SS. HEX HD. CAP SCR. (3)
 4 - PCS. 5/16" SS. LOCK NUT (4)
 4 - PCS. 5/16" SS. FLAT WASHER (5)
 PLACE ALUMINUM CLIP (6) OVER HEAD OF 5/16" X 1"
 S.STL. HEX HD. CAP SCR. (3). PLACE BOLT WITH CLIP IN
 SUPPORT POST FOR EMBEDMENT (2) THEN PLACE 2" X 10" X 6'
 ALUMINUM PLANK (1) ON SUPPORT OVER TOP OF ALUMINUM
 CLIP. TURN CLIP 1/4 TURN IN ALUMINUM PLANK TO LOCK INTO PLACE.
 THEN USE HARDWARE (4 & 5) TO TIGHTEN TO SNUG FIT.
 (SEE DETAIL 1)

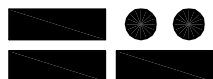
STEP 2:

UPON COMPLETION OF BENCH ASSEMBLY SQUARE ALL
 COMPONENTS THEN TIGHTEN ALL HARDWARE.

STEP 3:

MOUNT AND ANCHOR AS SPECIFIED.

ITEM	QTY	PART NO	DESCRIPTION
1	1	0-71-60A-01	2" X 10" X 6' ALUMINUM PLANK
2	2	0-99-00-01/S-1	SUPPORT FOR EMBEDMENT
3	4	1-12-061	5/16" X 1" SS HEX HD CAP SCR
4	4	1-20-016	5/16" SS NYLON LOCKNUT
5	4	1-22-017	5/16" SS FLAT WASHER
6	4	5-48-083	ALUMINUM CLIPS



DuMor, inc.

P.O. Box 142 Mifflintown, PA 17059-0142

SCALE : NONE

DATE DRAWN : 12/21/99

DRAWN BY : JSB

DATE REV. : 12/14/98

REV. BY : JSB

TITLE :

BENCH ASSEMBLY

REV.

DRAWING
NUMBER

B

99 SERIES A /S-1

SHEET
2 OF 2