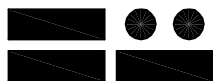


LENGTH OPTIONS

- 6' BENCH
- 8' BENCH

NOTES:

1.) ALL STL. MEMBERS COATED W/ ZINC RICH EPOXY THEN FINISHED
W/ POLYESTER POWDER COATING.



DuMor, inc.

P.O. Box 142 Mifflintown, PA 17059-0142

SCALE : NONE

DATE DRAWN : 7/26/95

DRAWN BY : AH

DATE REV. : 12/14/98

REV. BY : JSB

TITLE :

TEAM BENCH

REV.
B

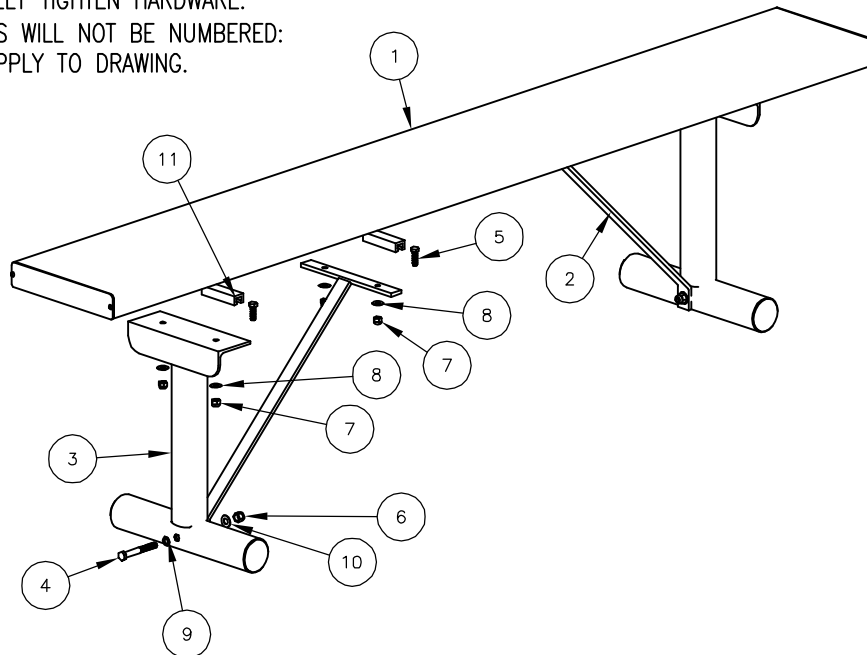
DRAWING
NUMBER

99 SERIES A /S-5

SHEET
1 OF 2

NOTE:

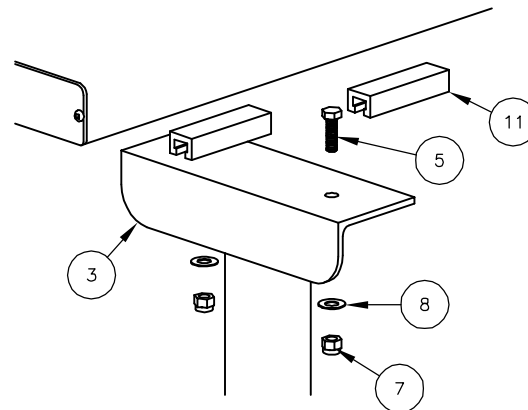
- 1.) DURING ASSEMBLY PROCEDURE;
DO NOT COMPLETELY TIGHTEN HARDWARE.
- 2.) THE ACTUAL PARTS WILL NOT BE NUMBERED:
NUMBERS ONLY APPLY TO DRAWING.



STEP 1:

- USE 1 - PCS. 2" X 10" X 6' ALUMINUM PLANK (1)
- 2 - PCS. FREE STANDING SUPPORT (3)
- 4 - PCS. ALUMINUM CLIPS (11)
- 4 - PCS. 5/16" X 1" SS. HEX HD. CAP SCR. (5)
- 4 - PCS. 5/16" SS. LOCK NUT (7)
- 4 - PCS. 5/16" SS. FLAT WASHER (8)

PLACE ALUMINUM CLIP (11) OVER HEAD OF 5/16" X 1" SS. HEX HD. CAP SCR. (5). PLACE BOLT WITH CLIP IN FREE STANDING SUPPORT POST (3) THEN PLACE 2" X 10" X 6' ALUMINUM PLANK (1) ON SUPPORT OVER TOP OF ALUMINUM CLIP. TURN CLIP 1/4 TURN IN ALUMINUM PLANK TO LOCK INTO PLACE. THEN USE HARDWARE (7 & 8) TO TIGHTEN TO SNUG FIT.



DETAIL A

STEP 2:

- USE 2 - PCS. DIAGONAL BRACE (T) (2)
- 2 - PCS. 3/8" X 3" SS. HEX HD. CAP SCR. (4)
- 2 - PCS. 3/8" SS. FLAT WASHERS (10)
- 2 - PCS. 3/8" X 5/8" RUBBER WASHER (9)
- 2 - PCS. 3/8" SS. NYLON LOCK NUT (6)

ATTACH DIAGONAL BRACE (T) (2) TO STEP 1 ASSEMBLY USING HARDWARE (4, 6, 9 & 10). TIGHTEN TO SNUG FIT.

STEP 3:

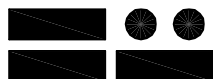
- USE 4 - PCS. ALUMINUM CLIPS (11)
- 4 - PCS. 5/16" X 1" SS. HEX HD. CAP SCR. (5)
- 4 - PCS. 5/16" SS. NYLON LOCK NUT (7)
- 4 - PCS. 5/16" SS. FLAT WASHER (8)

SLIDE ALUMINUM CLIP (11) OVER HEAD OF 5/16" X 1" SS. HEX HD. CAP SCR. (5). PLACE BOLT & CLIP IN TOP OF DIAGONAL BRACE TO ATTACH BRACE TO ALUMINUM PLANK. TURN CLIP 1/4 TURN TO LOCK ALUMINUM PLANK INTO PLACE. USING HARDWARE (7 & 8) TIGHTEN TO SNUG FIT.

STEP 4:

UPON COMPLETION OF BENCH ASSEMBLY SQUARE ALL COMPONENTS THEN TIGHTEN ALL HARDWARE.

ITEM	QTY	PART NO	DESCRIPTION
1	1	0-71-60A-01	2" X 10" X 6' ALUMINUM PLANK
2	2	0-97-00-02	DIAGONAL BRACE (T)
3	2	0-99-00-01/S-5	FREE-STANDING SUPPORT
4	2	1-12-002	3/8" X 3" SS HEX HD CAP SCR
5	8	1-12-061	5/16" X 1" SS HEX HD CAP SCR
6	2	1-20-007	3/8" SS NYLON LOCKNUT
7	8	1-20-016	5/16" SS NYLON LOCKNUT
8	8	1-22-017	5/16" SS FLAT WASHER
9	2	1-22-018	3/8" ID X 5/8" OD RUBBER WASHER
10	2	1-22-024	3/8" SS FLAT WASHER
11	8	5-48-083	ALUMINUM CLIPS



DuMor, inc.

P.O. Box 142 Mifflintown, PA 17059-0142

SCALE : NONE

DATE DRAWN : 12/21/99

DRAWN BY : JSB

DATE REV. : 12/14/98

REV. BY : JSB

TITLE :

BENCH ASSEMBLY

REV. B

DRAWING NUMBER

99 SERIES A /S-5

SHEET 2 OF 2