

SLAT OPTIONS

- "CEDAR" RECYCLED PLASTIC
- "GREEN" RECYCLED PLASTIC
- "GREY" RECYCLED PLASTIC
- "REDWOOD" RECYCLED PLASTIC
- "WALNUT" RECYCLED PLASTIC
- OTHER _____

LENGTH OPTIONS

- 6' BENCH
- 8' BENCH

NOTES:

- 1.) ALL STL. MEMBERS COATED W/ ZINC RICH EPOXY THEN FINISHED W/ POLYESTER POWDER COATING.

DuMor, inc.
P.O. Box 142 Mifflintown, PA 17059-0142

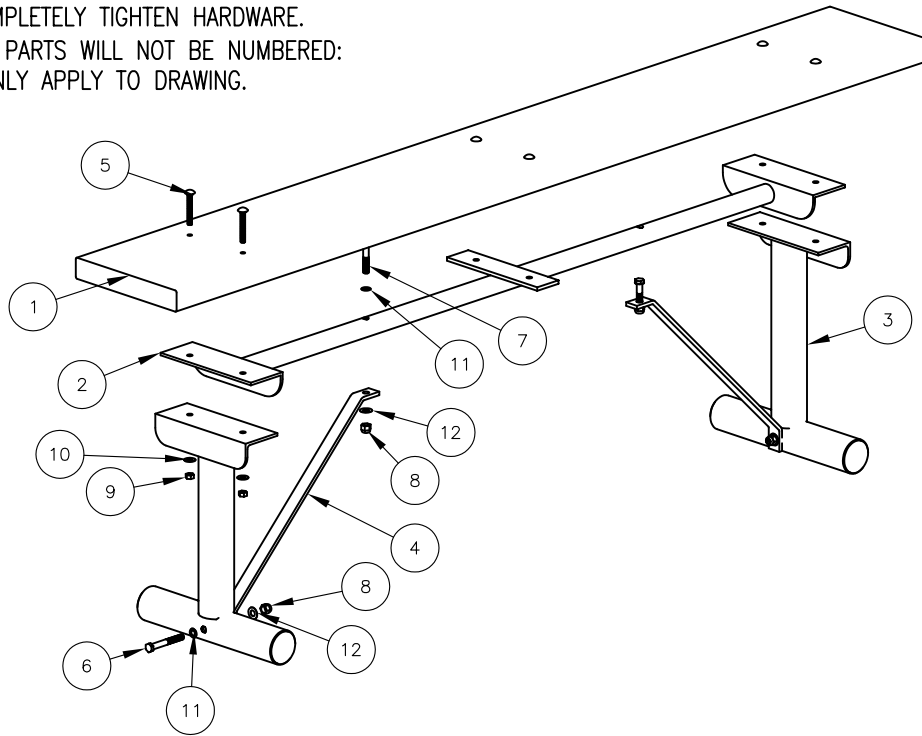
SCALE : NONE
 DATE DRAWN : 7/26/95
 DRAWN BY : AH
 DATE REV. : 12/03/09
 REV. BY : ESS

TITLE : TEAM BENCH

REV. D	DRAWING NUMBER 99 SERIES PL /S-5	SHEET 1 OF 2
--------	----------------------------------	--------------

NOTE:

- 1.) DURING ASSEMBLY PROCEDURE;
DO NOT COMPLETELY TIGHTEN HARDWARE.
- 2.) THE ACTUAL PARTS WILL NOT BE NUMBERED:
NUMBERS ONLY APPLY TO DRAWING.



STEP 1:

- USE 1 - PC. 2" X 10" X 71" PLASTIC SLAT (1)
 - 1 - PC. SEAT BRACE (2)
 - 2 - PCS. 5/16" X 2 1/4" SS. CGE BOLT (5)
 - 2 - PCS. 5/16" SS. HEX NUT (9)
 - 2 - PCS. 5/16" SS. FLAT WASHER (10)
 - 2 - PCS. 3/8" X 2" SS. HEX HD. CAP SCR. (7)
 - 2 - PCS. 3/8" ID X 5/8" OD RUBBER WASHER (11)
- PLACE 3/8" X 2" SS. HEX HD. CAP SCR. (7) AND 3/8" I.D. X 5/8" O.D. RUBBER WASHER (11) THROUGH THE 6' SEAT BRACE (2). THEN ATTACH 2" X 10" X 71" PLASTIC SLAT (1) TO CENTER PLATE ONLY, USING HARDWARE (5, 9, & 10). TIGHTEN TO SNUG FIT.

STEP 2:

- USE 2 - PCS. FREE STANDING SUPPORT (3)
 - 4 - PCS. 5/16" X 2 1/4" SS. CGE BOLT (5)
 - 4 - PCS. 5/16" SS. HEX NUT (9)
 - 4 - PCS. 5/16" SS. FLAT WASHER (10)
- ATTACH STEP 1 ASSEMBLY TO FREE STANDING SUPPORT (3) USING HARDWARE (5, 9, & 10). TIGHTEN TO SNUG FIT.

STEP 3:

- USE 2 - PCS. DIAGONAL BRACE (4)
 - 2 - PCS. 3/8" X 3" SS. HEX HD. CAP SCR. (6)
 - 4 - PCS. 3/8" SS. FLAT WASHERS (12)
 - 2 - PCS. 3/8" X 5/8" RUBBER WASHER (11)
 - 4 - PCS. 3/8" SS. NYLON LOCK NUT (8)
- ATTACH DIAGONAL BRACE (4) TO STEP 1 ASSEMBLY USING HARDWARE (6, 12, 11, & 8). TIGHTEN TO SNUG FIT.

STEP 4:

UPON COMPLETION OF BENCH ASSEMBLY SQUARE ALL COMPONENTS THEN TIGHTEN ALL HARDWARE.

ITEM	QTY	PART NO	DESCRIPTION
1	1	0-71-60PL-01	2" X 10" X 71" PLASTIC SLAT
2	1	0-97-60PL-15/5	6' SEAT BRACE
3	2	0-99-00-01/S-5	FREE-STANDING SUPPORT
4	2	0-99-00PL-02	DIAGONAL BRACE
5	6	1-11-062	5/16" X 2 1/4" SS CGE BOLT
6	2	1-12-002	3/8" X 3" SS HEX HD CAP SCR
7	2	1-12-038	3/8" X 2" SS HEX HD CAP SCR
8	4	1-20-007	3/8" SS NYLON LOCKNUT
9	6	1-21-015	5/16" SS HEX NUT
10	6	1-22-017	5/16" SS FLAT WASHER
11	4	1-22-018	3/8" ID X 5/8" OD RUBBER WASHER
12	4	1-22-024	3/8" SS FLAT WASHER

DuMor, inc.
P.O. Box 142 Mifflintown, PA 17059-0142

SCALE : NONE
DATE DRAWN : 1/15/00
DRAWN BY : JSB
DATE REV. : 12/03/09
REV. BY : ESS

TITLE : BENCH ASSEMBLY

REV. D	DRAWING NUMBER 99 SERIES PL /S-5	SHEET 2 OF 2
--------	----------------------------------	--------------