

**NOTES**

- 1.) ALL STL. MEMBERS COATED W/ ZINC RICH EPOXY THEN FINISHED W/ POLYESTER POWDER COATING.
- 2.)  $1/2$ " X  $3 \frac{3}{4}$ " EXPANSION ANCHOR BOLTS PROVIDED.

**LENGTH OPTIONS**

- 6' BENCH
- 8' BENCH

**SLAT OPTIONS**

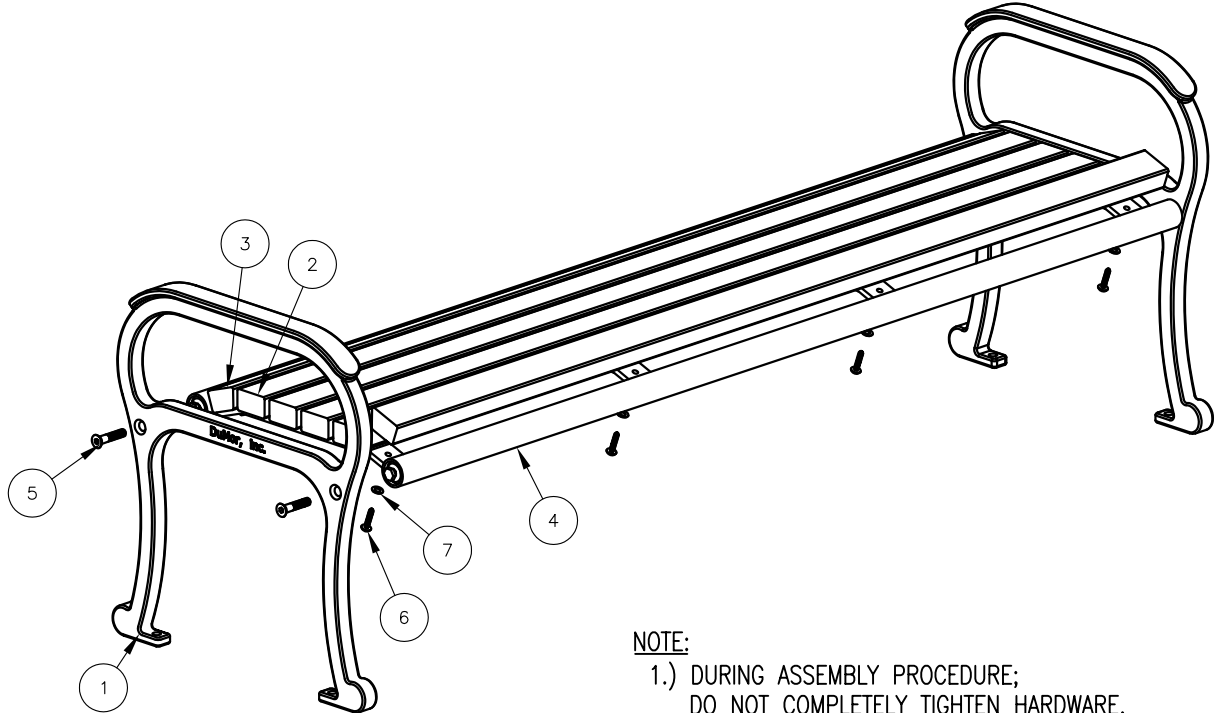
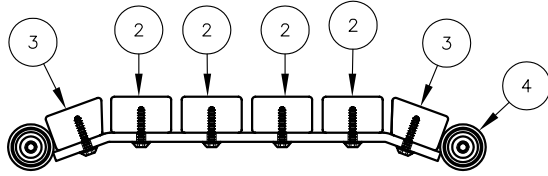
- "CEDAR" RECYCLED PLASTIC
- "GREY" RECYCLED PLASTIC
- "REDWOOD" RECYCLED PLASTIC
- "WALNUT" RECYCLED PLASTIC
- OTHER \_\_\_\_\_

**DuMor, inc.**  
 P.O. Box 142 Mifflintown, PA 17059-0142

SCALE : NONE  
 DATE DRAWN : 6/28/05  
 DRAWN BY : AWH  
 DATE REV. : 10/26/11  
 REV. BY : JSB

TITLE : BENCH

REV. C	DRAWING NUMBER 166 SERIES-PL	SHEET 1 OF 2
--------	------------------------------	--------------



**NOTE:**

- 1.) DURING ASSEMBLY PROCEDURE;  
DO NOT COMPLETELY TIGHTEN HARDWARE.
- 2.) THE ACTUAL PARTS WILL NOT BE NUMBERED:  
NUMBERS ONLY APPLY TO DRAWING.

**STEP 1:**

USE 2 - PCS. BKLESS CAST IRON BENCH SUPPORT ( 1 )  
 1 - PC. 6' BACKLESS SEAT FRAME ( 4 )  
 4 - PCS. 1/2" X 2 1/2" FLT. SKT. HD. CAP SCR. ( 5 )  
 ATTACH BKLESS CAST IRON SUPPORT ( 1 ) TO 6' BACKLESS SEAT  
 FRAME ( 4 ) USING HARDWARE ( 5 ). TIGHTEN TO SNUG FIT.

**STEP 2:**

USE 4 - PCS. 2" X 3" X 71" PLASTIC INT'R SLAT ( 2 )  
 2 - PCS. 71" PLASTIC PROFILE SLAT ( 3 )  
 24 - PCS. 5/16" X 1 1/2" SS. BTN. SKT. HD. LAG ( 6 )  
 24 - PCS. 5/16" SS. FLAT WASHER ( 7 )  
 ATTACH SLATS ( 2 & 3 ) TO STEP 1 ASSEMBLY USING  
 HARDWARE ( 6 & 7 ). TIGHTEN TO SNUG FIT.

**STEP 3:**

UPON COMPLETION OF BENCH ASSEMBLY SQUARE ALL  
 COMPONENTS THEN TIGHTEN ALL HARDWARE.

**STEP 4:**

MOUNT AND ANCHOR AS SPECIFIED.

ITEM	QTY	PART NO	DESCRIPTION
1	2	0-164-00-01	BKLESS CAST IRON BENCH SUPPORT
2	4	0-143-60PL-01	2" X 3" X 71" PLASTIC INT'R SLAT
3	2	0-165-60PL-04	71" PLASTIC PROFILE SLAT
4	1	0-166-60-01	6' BACKLESS SEAT FRAME
5	4	1-12-065	1/2" X 2 1/2" FLT SKT HD CAP SCR
6	24	1-13-023	5/16" X 1 1/2" SS BTN SKT HD LAG
7	24	1-22-017	5/16" SS FLAT WASHER



**DuMor, inc.**  
 P.O. Box 142 Mifflintown, PA 17059-0142

SCALE : NONE  
 DATE DRAWN : 6/28/05  
 DRAWN BY : AWH  
 DATE REV. : 12/3/09  
 REV. BY : JSB

TITLE : BENCH

REV. B	DRAWING NUMBER 166 SERIES-PL	SHEET 2 OF 2
--------	------------------------------	--------------