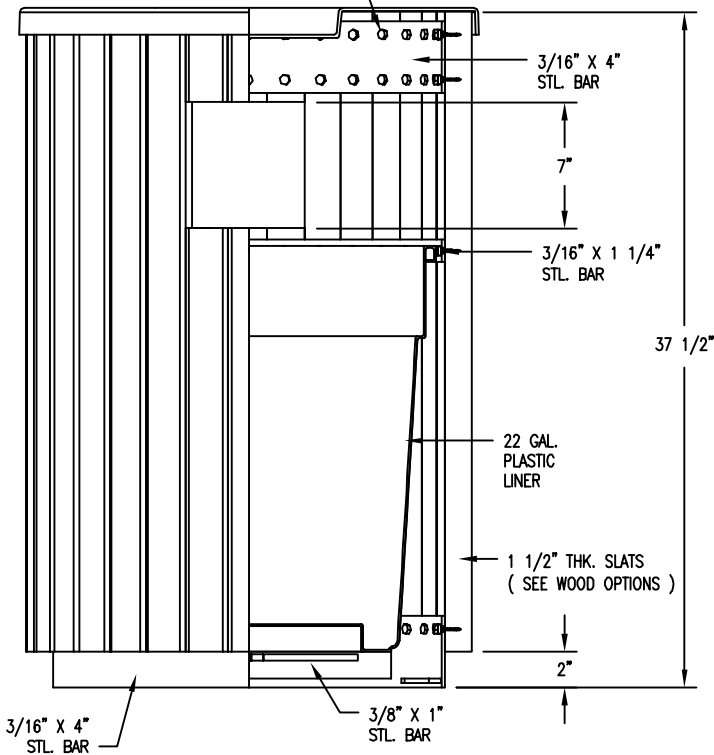


HIGH DENSITY POLYETHYLENE COVER

1/4" X 1 1/4" S.STL. LAG SCR.

1/4" THK. STL. PLATE W/
1 1/16" Ø ANCHOR HOLE
(3-PLACES)

25 1/2"



3/16" X 4" STL. BAR

7"

3/16" X 1 1/4" STL. BAR

37 1/2"

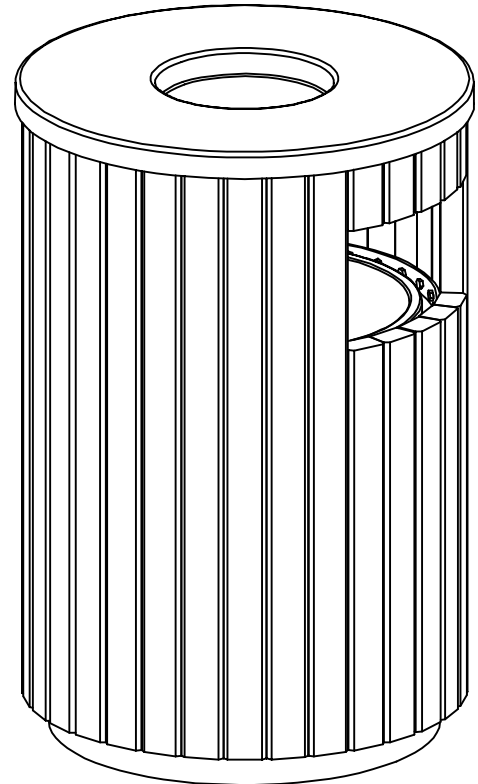
22 GAL. PLASTIC LINER

1 1/2" THK. SLATS
(SEE WOOD OPTIONS)

2"

3/16" X 4" STL. BAR

3/8" X 1" STL. BAR



NOTES

- 1.) ALL STL. MEMBERS COATED W/ ZINC RICH EPOXY THEN FINISHED W/ BLACK POLYESTER POWDER COATING.
- 2.) ALL WOOD MEMBERS TREATED W/ CLEAR PRESERVATIVE.
- 3.) RECEPTACLE FULLY ASSEMBLED AT FACTORY.
- 4.) 1/2" X 3 3/4" EXPANSION ANCHOR BOLTS PROVIDED.

WOOD OPTIONS

- 'C' & BTR. DOUGLAS FIR KD S4S EE
- IPE S4S EE
- OTHER _____



RECEPTACLE

DATE DRAWN : 03/22/94
DRAWN BY : AH
DATE REV. : 10/25/11
REV. BY : ESS

REV.
G

DRAWING NUMBER

44-22/46-20

SHEET
1 OF 2

PARTS LIST

ITEM	QTY	PART NO	DESCRIPTION
1	1	0-44-20	20 GAL RECEPTACLE BODY ASSEMBLY
2	1	46-20BLK	POLYETHYLENE COVER W/ CABLE
3	1	49-22	22 GAL PL LINER W/HANDLE, BLK

KITS PROVIDED

ITEM	QTY	PART NO	DESCRIPTION
4	1	K-ANCO860-3	1/2" X 3 3/4" SS ANCHOR KIT (3PCS)

NOTES:

- 1.) THE ACTUAL PARTS WILL NOT BE NUMBERED. NUMBERS ONLY APPLY TO DRAWING.
- 2.) MOUNT AND ANCHOR AS SPECIFIED.

TOOLS REQ'D

- 3/4" WRENCH
1/2" MASONRY DRILL BIT
DRILL

