

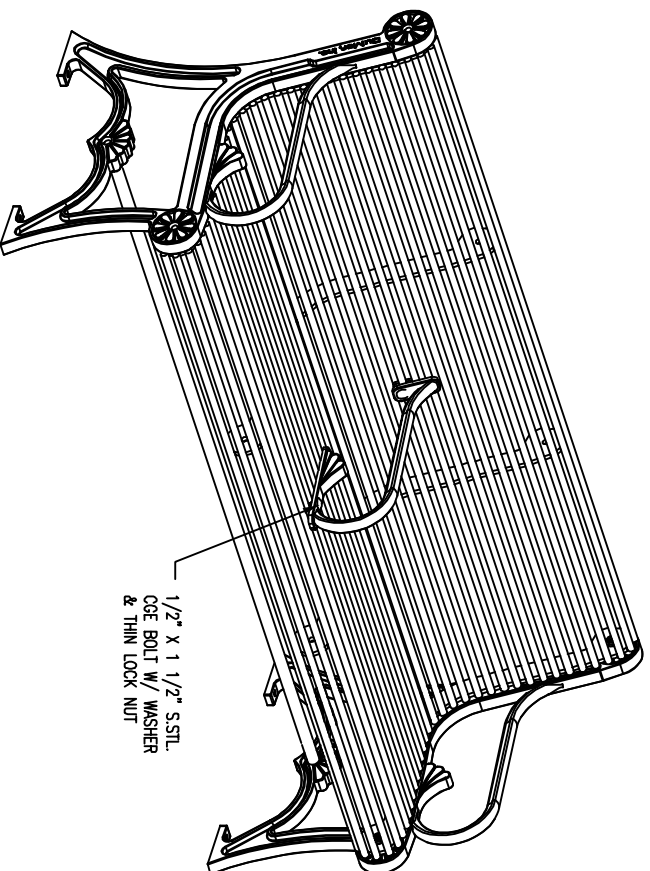
LENGTH OPTIONS

- 6' BENCH
- 8' BENCH

CUSTOM LETTERING ( 37 SPACES ) \_\_\_\_\_

NOTES

- 1.) ALL STL. MEMBERS COATED W/ ZINC RICH EPOXY THEN POLYESTER POWDER COATED.
- 2.) CUSTOM LETTERING AVAILABLE FOR RECESSED SIDE PANEL. ( 37 TOTAL SPACES ).
- 3.) 1/2" X 3 3/4" EXPANSION ANCHOR BOLTS PROVIDED.



BENCH

DATE DRAWN : 12/06/99
DRAWN BY : AMH
DATE REV. : 03/14/05
REV. BY : AMH

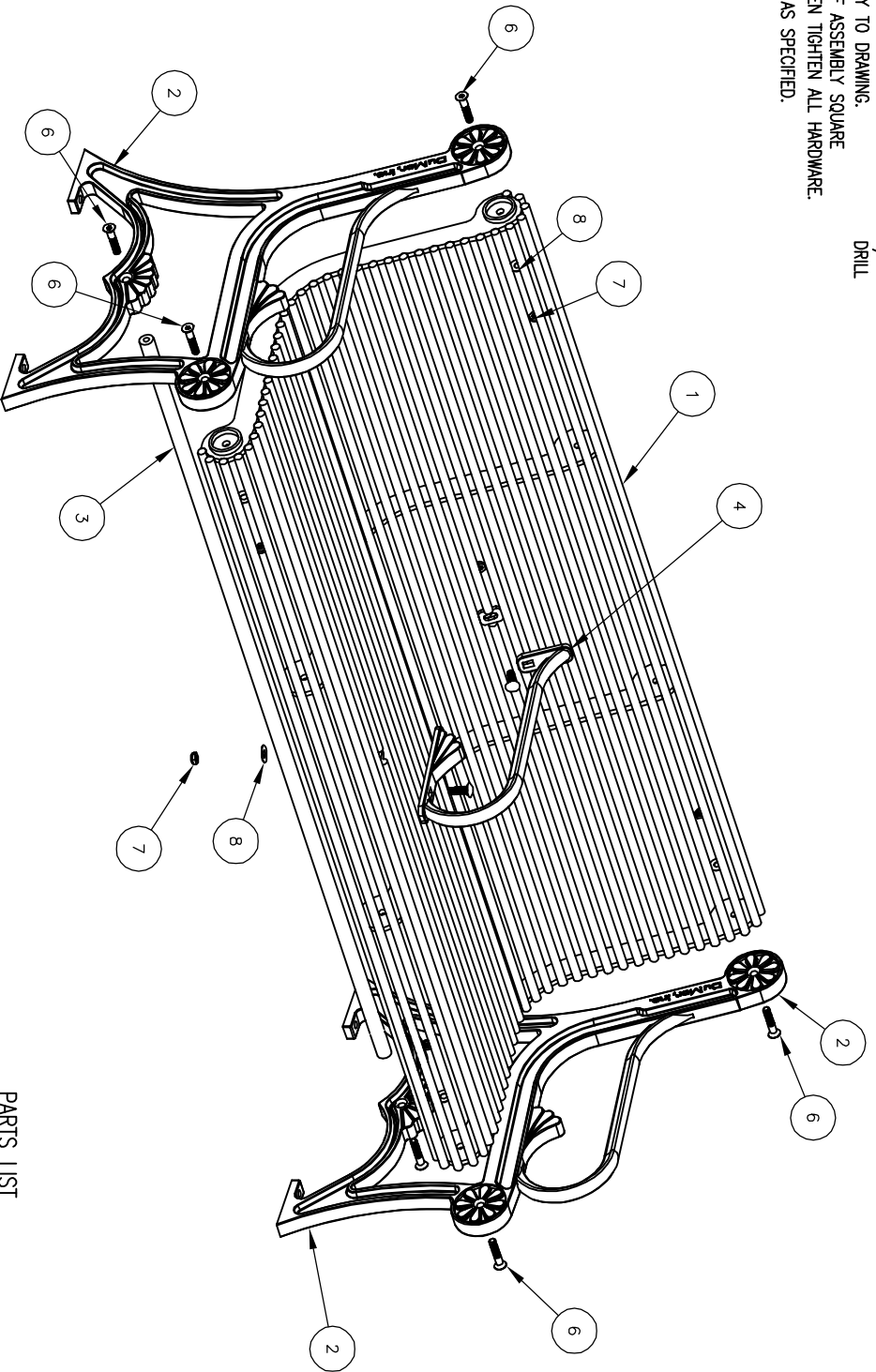
REV. D
DRAWING NUMBER

19 SERIES-3AR

- NOTES:**
- 1) DURING ASSEMBLY PROCEDURE: DO NOT COMPLETELY TIGHTEN HARDWARE.
  - 2) THE ACTUAL PARTS WILL NOT BE NUMBERED. NUMBERS ONLY APPLY TO DRAWING.
  - 3) UPON COMPLETION OF ASSEMBLY SQUARE ALL COMPONENTS THEN TIGHTEN ALL HARDWARE.
  - 4) MOUNT AND ANCHOR AS SPECIFIED.

- TOOLS REQ'D**
- 3/4" WRENCH
  - 5/16" ALLEN WRENCH
  - 1/2" MASONRY DRILL BIT
  - DRILL

- 1** ATTACH PIPE BRACE TO SUPPORTS, ATTACH SEAT TO SUPPORTS. ATTACH ARMREST.



**PARTS LIST**

ITEM	QTY	PART NO	DESCRIPTION
1	1	0-19-60-3AR-01	6' STL SEAT FOR 1 ARMREST
2	2	0-57-00-02	CAST IRON BENCH SUPPORT
3	1	0-57-60-04	71 3/4" PIPE BRACE
4	1	0-58-00AR-03	CAST IRON BOLT ON ARMREST
5	2	1-11-042	1/2" X 1 1/2" SS CGE BOLT
6	6	1-12-065	1/2" X 2 1/2" FLI SKT HD CAP SCR
7	6	1-20-018	1/2" SS THIN NYLON LOCKNUT
8	6	1-22-015	1/2" SS FLAT WASHER
9	1	K-ANVC0860-4	1/2" X 3 3/4" SS ANCHOR KIT (4PC)

**KITS PROVIDED**

ITEM	QTY	PART NO	DESCRIPTION
10	1	K-C00824-2TL	1/2" CGE BOLT HARDWARE KIT (2PC)
11	1	K-FC0840-6	1/2" CAP HARDWARE KIT (6PC)
12	1	K-TLNU08-4	1/2" THIN LOCK NUT HARDWARE KIT (4PC)

DATE DRAWN : 10/03/08  
 DRAWN BY : JSB  
 DATE REV. : 00/00/00  
 REV. BY : XXX

REV. A

DRAWING NUMBER

19 SERIES-3AR

SHEET 2 OF 2



ASSEMBLY INSTRUCTIONS