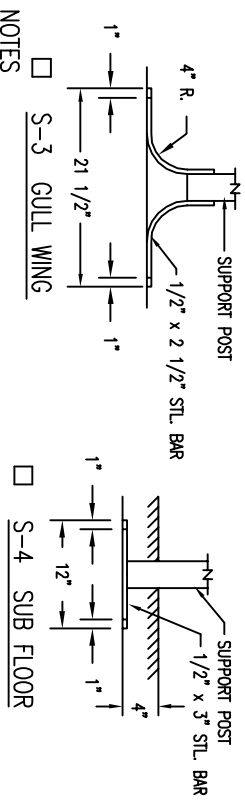


S-2 SURFACE MT.

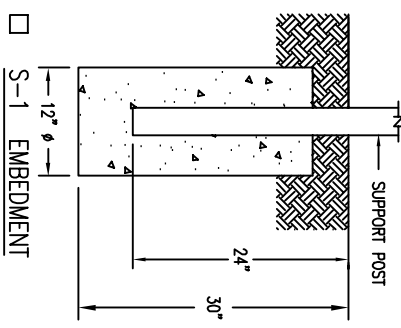
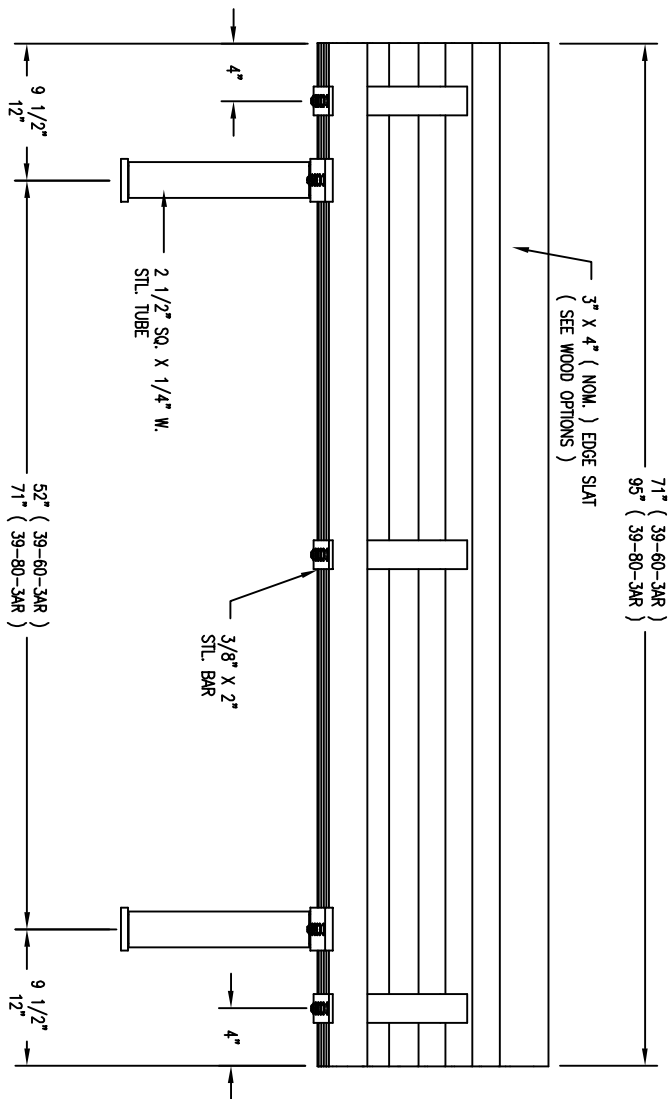
LENGTH OPTIONS

- 6' BENCH
- 8' BENCH



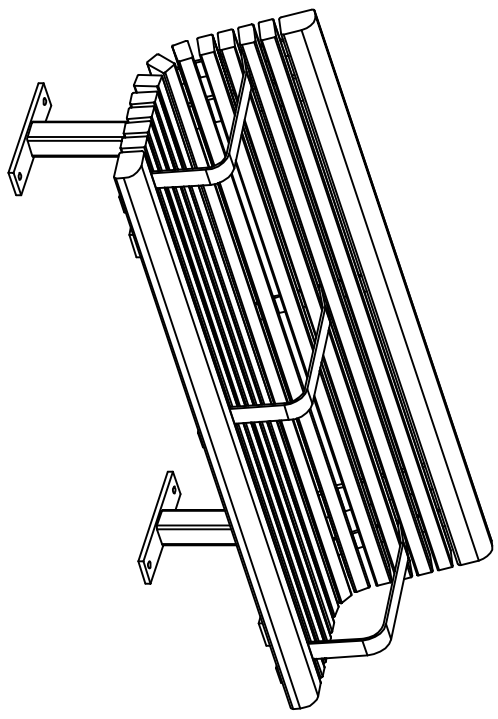
NOTES

- 1.) ALL STL. MEMBERS COATED W/ ZINC RICH EPOXY THEN FINISHED W/ POLYESTER POWDER COATING.
- 2.) ALL WOOD MEMBERS TREATED W/ CLEAR PRESERVATIVE.
- 3.) 1/2" X 3 3/4" EXPANSION BOLT PROVIDED FOR S-2, S-3 & S-4 OPTIONS.



WOOD OPTIONS

- 'C' & BTR. DOUGLAS FIR KD S4S EE
- IPE S4S EE
- OTHER _____



BENCH

DATE DRAWN : 10/22/98	REV.
DRAWN BY : HD	D
DATE REV. : 07/24/13	
REV. BY : ESS	

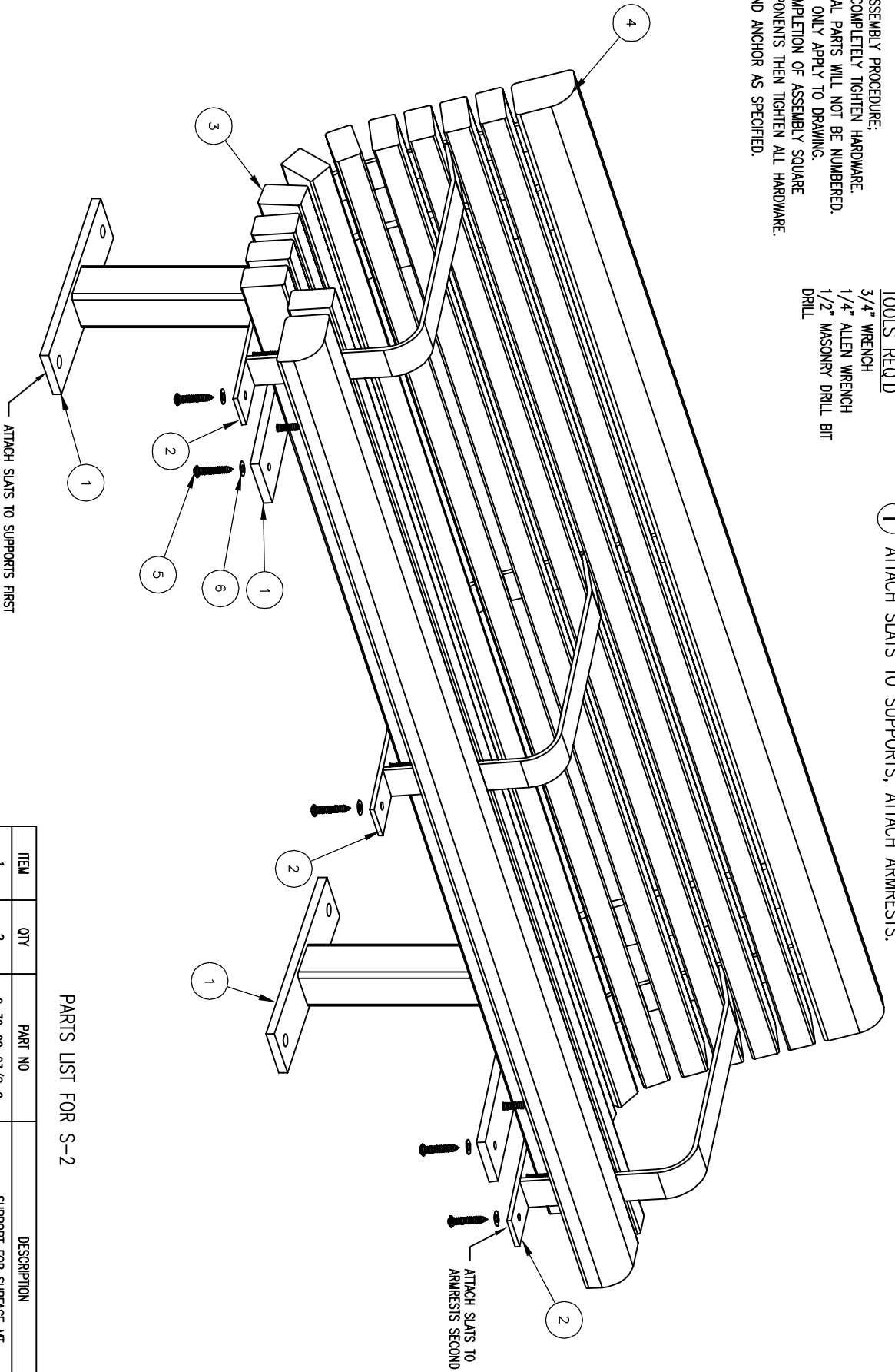
DRAWING NUMBER

39 SERIES 3AR

- NOTES:**
- 1.) DURING ASSEMBLY PROCEDURE; DO NOT COMPLETELY TIGHTEN HARDWARE.
 - 2.) THE ACTUAL PARTS WILL NOT BE NUMBERED. NUMBERS ONLY APPLY TO DRAWING.
 - 3.) UPON COMPLETION OF ASSEMBLY SQUARE ALL COMPONENTS THEN TIGHTEN ALL HARDWARE.
 - 4.) MOUNT AND ANCHOR AS SPECIFIED.

- TOOLS REQ'D**
- 3/4" WRENCH
 - 1/4" ALLEN WRENCH
 - 1/2" MASONRY DRILL BIT
 - DRILL

① ATTACH SLATS TO SUPPORTS, ATTACH ARMRESTS.



PARTS LIST FOR S-2

KITS PROVIDED FOR S-2

ITEM	QTY	PART NO	DESCRIPTION
7	1	K-ANCO860-4	1/2" X 3 3/4" SS ANCHOR KIT (4PC)
8	1	K-BL0632-65	3/8" LAG HARDWARE KIT (65PC)

ITEM	QTY	PART NO	DESCRIPTION
1	2	0-39-00-03/S-2	SUPPORT FOR SURFACE MT
2	3	0-39-00AR-06	CONTOUR STRAP W/ ARMREST
3	11	0-39-60-01	2" X 3" X 71" WOOD SLAT
4	2	0-39-60-02	3" X 4" X 71" WOOD EDGE SLAT
5	65	1-13-016	3/8" X 2" SS BTN SKT HD LAG SCR
6	65	1-22-024	3/8" SS FLAT WASHER



ASSEMBLY INSTRUCTIONS

DATE DRAWN : 07/16/13
 DRAWN BY : ESS
 DATE REV. : 00/00/00
 REV. BY : XXX

REV. A

39 SERIES 3AR

SHEET 2 OF 2