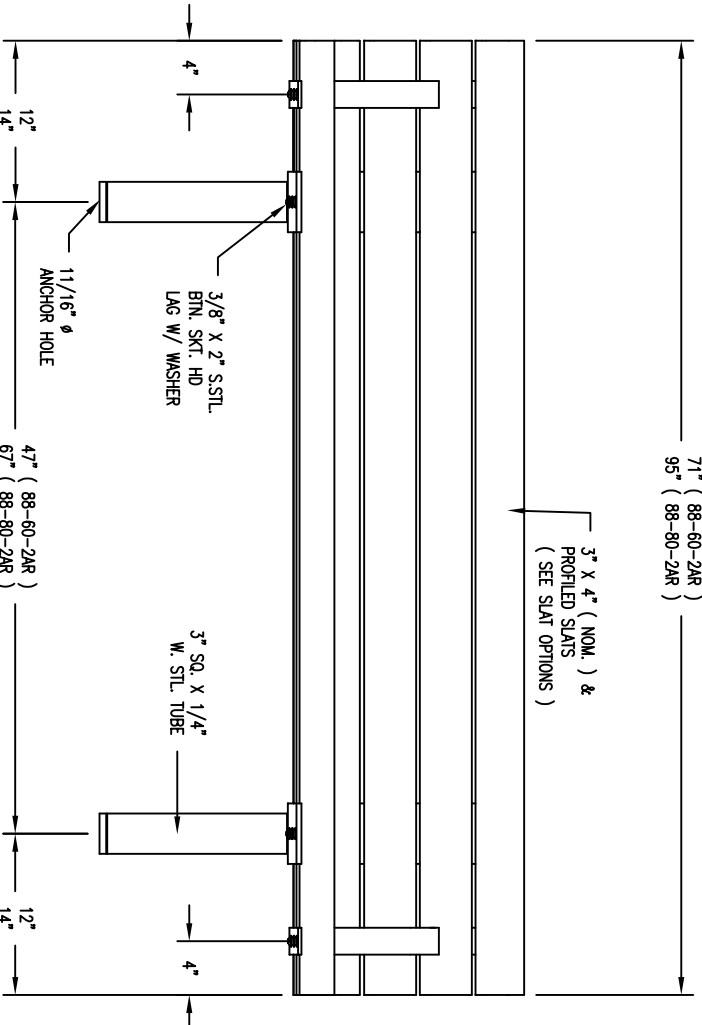


S-2 SURFACE MOUNT

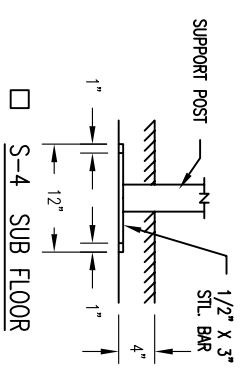
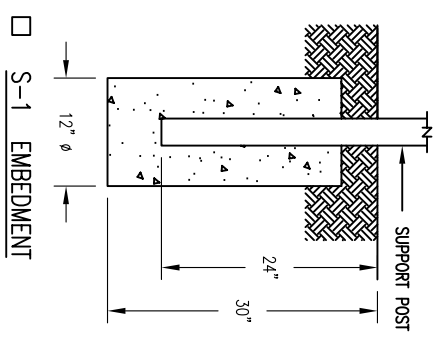
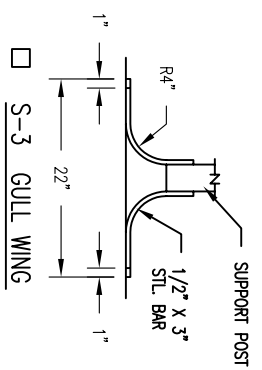


LENGTH OPTIONS

- 6' BENCH
- 8' BENCH

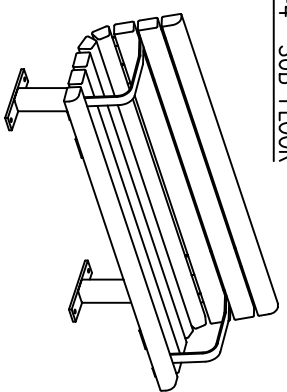
WOOD OPTIONS

- CLEAR ALL HEART REDWOOD S4S EE
- 'C' & BTR. DOUGLAS FIR KD S4S EE
- OTHER _____



- NOTES:
- 1.) ALL STL MEMBERS COATED W/ ZINC RICH EPOXY THEN FINISHED W/ POLYESTER POWDER COATING.
 - 2.) 1/2" X 3 3/4" EXPANSION ANCHOR BOLTS PROVIDED FOR OPTIONS S-2, S-3, & S-4.

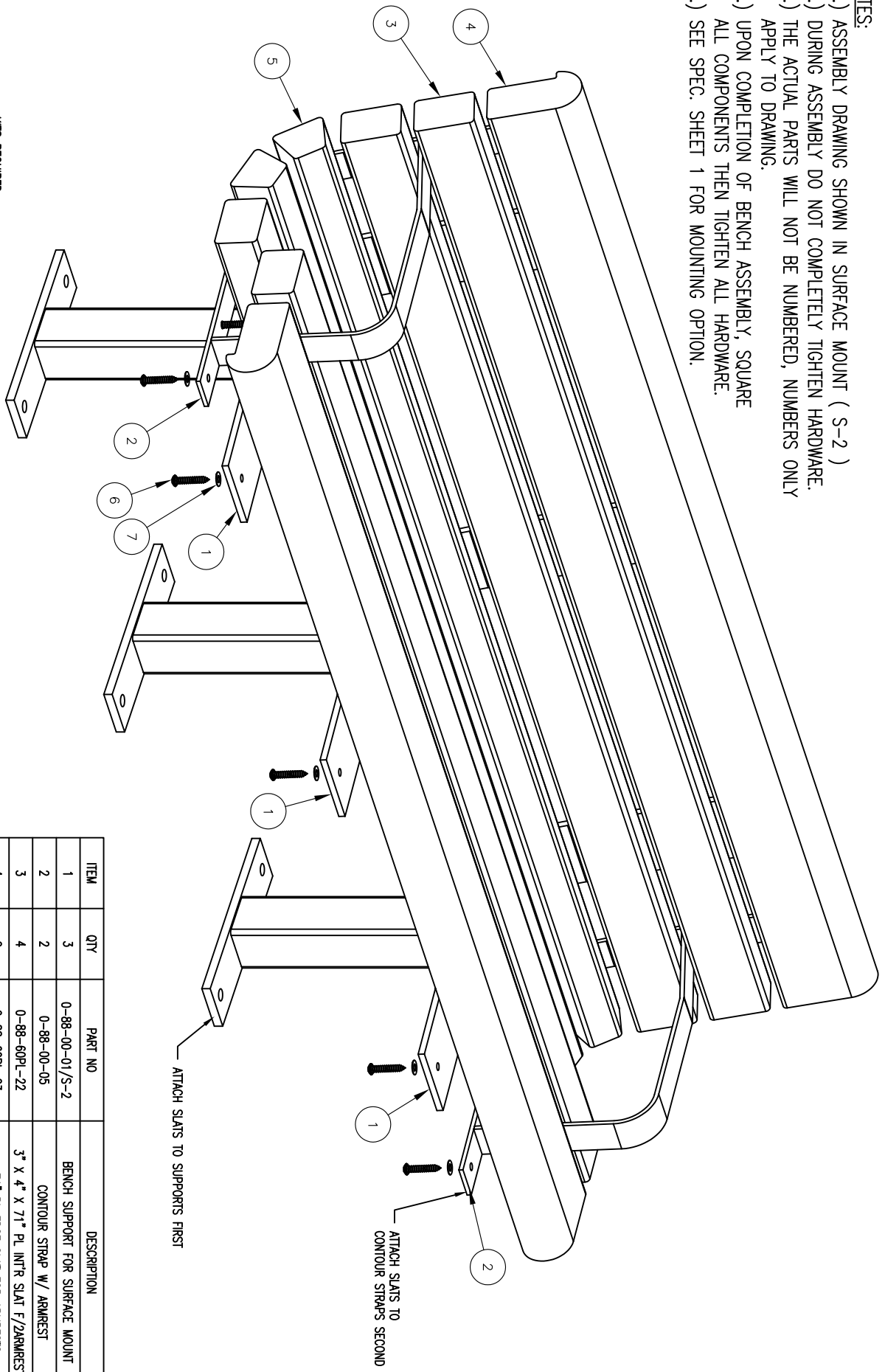
S-1 EMBEDMENT



		DATE DRAWN : 3/6/97		TITLE
		DRAWN BY : HD		
P.O. Box 142 Millintown, PA 17059-0142		DATE REV. : 12/18/09		REVISION
		REV. BY : AWH		B
		DRAWING NUMBER		88 SERIES-2AR SH1

BENCH

- NOTES:**
- 1.) ASSEMBLY DRAWING SHOWN IN SURFACE MOUNT (S-2)
 - 2.) DURING ASSEMBLY DO NOT COMPLETELY TIGHTEN HARDWARE.
 - 3.) THE ACTUAL PARTS WILL NOT BE NUMBERED, NUMBERS ONLY APPLY TO DRAWING.
 - 4.) UPON COMPLETION OF BENCH ASSEMBLY, SQUARE ALL COMPONENTS THEN TIGHTEN ALL HARDWARE.
 - 5.) SEE SPEC. SHEET 1 FOR MOUNTING OPTION.



ITEM	QTY	PART NO	DESCRIPTION
8	2	K-ANCO860-3	1/2" X 3 3/4" SS ANCHOR KIT (3PCS)
9	1	K-BL0632-40	3/8" LAG HARDWARE KIT (40PC)

(S-2, S-3 & S-4 ONLY)

ITEM	QTY	PART NO	DESCRIPTION
1	3	0-88-00-01/S-2	BENCH SUPPORT FOR SURFACE MOUNT
2	2	0-88-00-05	CONTOUR STRAP W/ ARMREST
3	4	0-88-60PL-22	3" X 4" X 71" PL INTR SLAT F/2ARMREST
4	2	0-88-60PL-23	71" PL EDGE SLAT FOR ARMRESTS
5	2	0-88-60PL-24	71" PLASTIC TRAP SLAT FOR ARMRESTS
6	40	1-13-016	3/8" X 2" SS BIN SKT HD LAG SCR
7	40	1-22-024	3/8" SS FLAT WASHER

DATE DRAWN : 09/05/08
 DRAWN BY : ESS

TOOLS REQD
 3/4" WRENCH
 1/4" ALLEN WRENCH
 DRILL & 1/2" MASONRY DRILL BIT
 FOR (S-2, S-3 & S-4 ONLY)

DUMOR, inc.
 P.O. Box 142 Millintown, PA 17059-0142

TITLE
INSTALLATION

REVISION A DRAWING NUMBER 88 SERIES-PL 2AR SH2