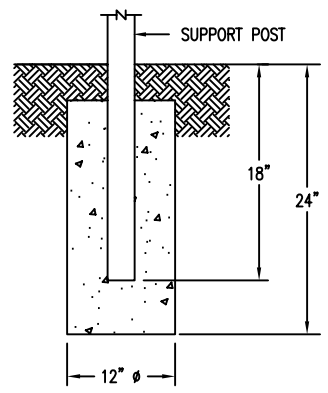
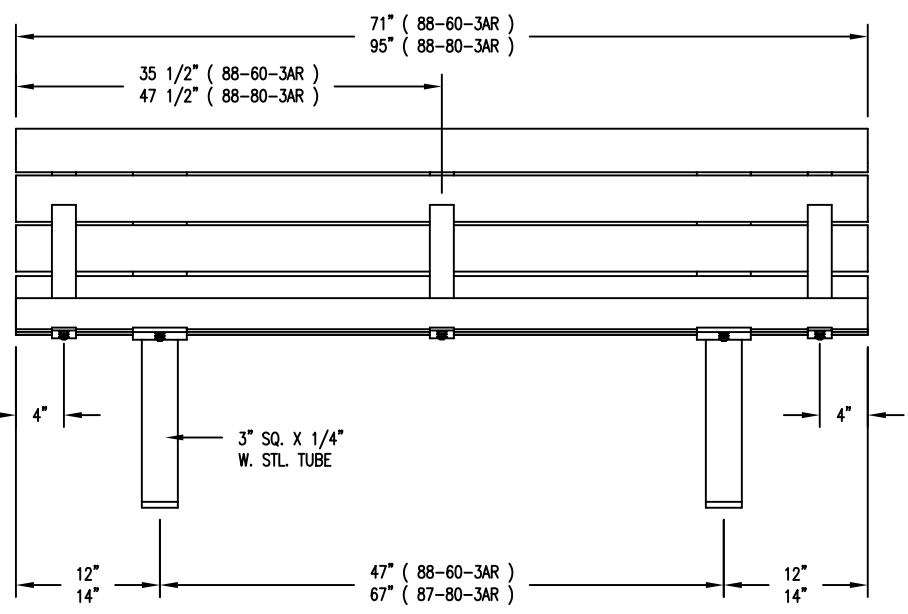
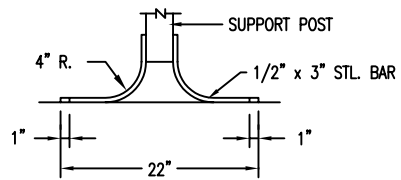
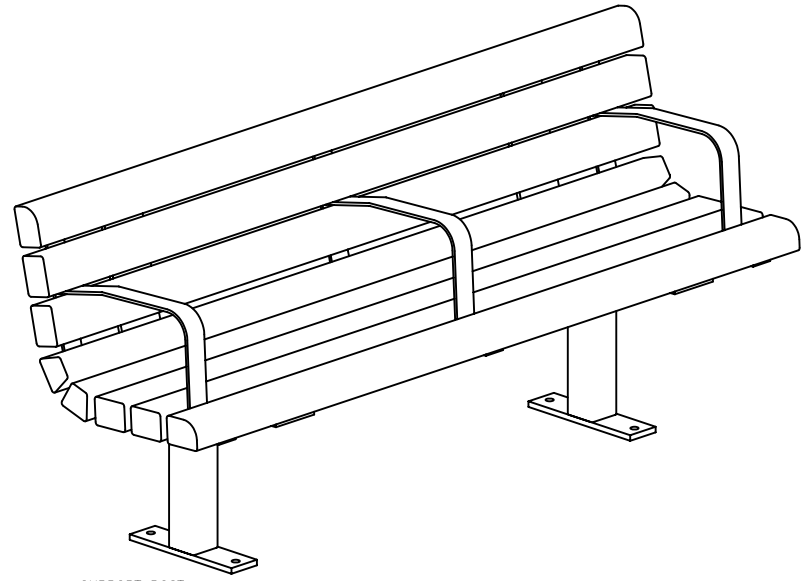


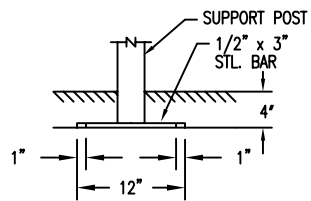
S-2 SURFACE MOUNT



S-1 EMBEDMENT



S-3 GULL WING



S-4 SUB FLOOR

LENGTH OPTIONS

- 6' BENCH
- 8' BENCH

NOTES:

- 1.) ALL STL. MEMBERS COATED W/ ZINC RICH EPOXY THEN FINISHED W/ POLYESTER POWDER COATING.
- 2.) ALL WOOD MEMBERS TREATED W/ CLEAR PRESERVATIVE.
- 3.) 1/2" X 3 3/4" EXPANSION ANCHOR BOLTS PROVIDED FOR OPTIONS S-2, S-3, & S-4.

WOOD OPTIONS

- CLEAR ALL HEART REDWOOD S4S EE
- 'C' & BTR. DOUGLAS FIR KD S4S EE
- IPE
- OTHER \_\_\_\_\_

**DuMor, inc.**  
P.O. Box 142 Mifflintown, PA 17059-0142

SCALE :	NONE
DATE DRAWN :	5/30/97
DRAWN BY :	JSB
DATE REV. :	
REV. BY :	

TITLE :	BENCH		
REV. :	A	DRAWING NUMBER	88 SERIES 3AR
			SHEET 1 OF 1