

LENGTH OPTIONS

- 6' BENCH
- 8' BENCH

WOOD OPTIONS

- 'C' & BTR. DOUGLAS FIR KD S4S EE
- IPE S4S EE
- OTHER _____

NOTES

- 1.) ALL STL. MEMBERS COATED W/ ZINC RICH EPOXY THEN FINISHED W/ POLYESTER POWDER COATING.
- 2.) 1/2" X 3 3/4" EXPANSION ANCHOR BOLTS PROVIDED.



BENCH

DATE DRAWN : 09/11/15
 DRAWN BY : RDH
 DATE REV. :
 REV. BY :

REV.
A

DRAWING NUMBER

490 SERIES

SHEET
1 OF 2

NOTES:

- 1.) DURING ASSEMBLY PROCEDURE;
DO NOT COMPLETELY TIGHTEN HARDWARE.
- 2.) THE ACTUAL PARTS WILL NOT BE NUMBERED.
NUMBERS ONLY APPLY TO DRAWING.
- 3.) UPON COMPLETION OF ASSEMBLY SQUARE
ALL COMPONENTS THEN TIGHTEN ALL HARDWARE.
- 4.) MOUNT AND ANCHOR AS SPECIFIED.

TOOLS REQ'D

- 3/4" WRENCH
- 5/16" ALLEN WRENCH
- 1/4" ALLEN WRENCH
- 1/2" MASONRY DRILL BIT
DRILL

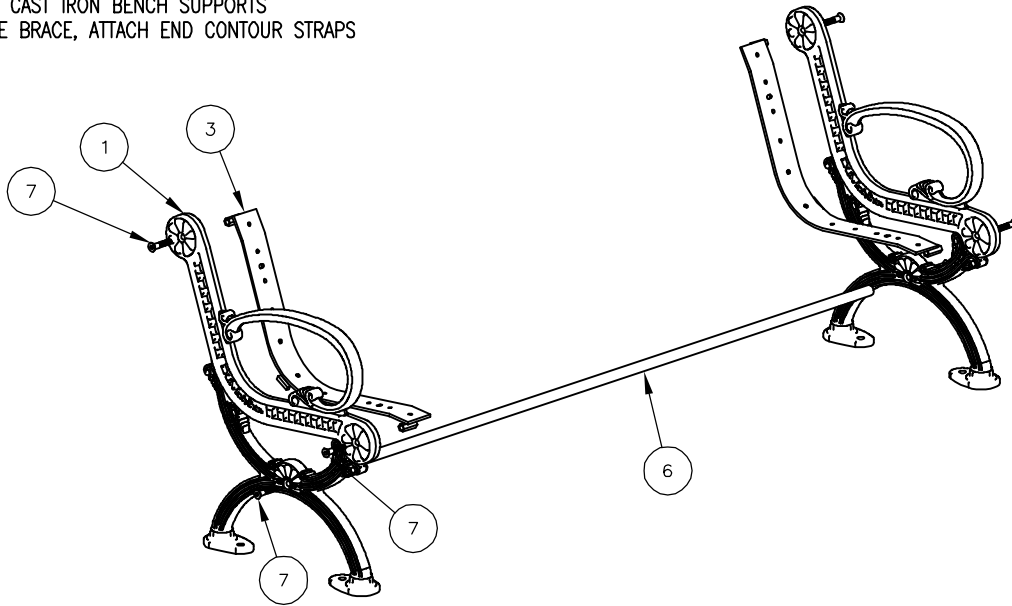
PARTS LIST

ITEM	QTY	PART NO	DESCRIPTION
1	2	0-490-00-01	CAST ALUM BENCH SUPPORT W/ BACK
2	1	0-57-00-03	CENTER CONTOUR STRAP
3	2	0-57-00-05	END CONTOUR STRAP
4	9	0-57-60-01	2" X 3" X 71" WOOD INT'R SLAT
5	2	0-57-60-02	2" X 3" X 71" WOOD EDGE SLAT
6	1	0-57-60-04	71 3/4" PIPE BRACE
7	6	1-12-065	1/2" X 2 1/2" FLT SKT HD CAP SCR
8	33	1-13-023	5/16" X 1 1/2" SS BTN SKT HD LAG
9	33	1-22-017	5/16" SS FLAT WASHER

KITS PROVIDED

ITEM	QTY	PART NO	DESCRIPTION
10	1	K-ANC0860-4	1/2" X 3 3/4" SS ANCHOR KIT (4PC)
11	1	K-BL0524-33	5/16" LAG HARDWARE KIT (33PC)
12	1	K-FC0840-6	1/2" CAP HARDWARE KIT (6PC)

1 ATTACH CAST IRON BENCH SUPPORTS TO PIPE BRACE, ATTACH END CONTOUR STRAPS



2 ATTACH SLATS TO STEP 1, ATTACH CENTER CONTOUR STRAP TO SLATS.

