

CUSTOM LETTERING (37 SPACES) _____

NOTES

- 1.) ALL STL. MEMBERS COATED W/ ZINC RICH EPOXY THEN FINISHED W/ POLYESTER POWDER COATING.
- 2.) 1/2" X 3 3/4" EXPANSION ANCHOR BOLTS PROVIDED.
- 3.) CUSTOM LETTERING AVAILABLE FOR RECESSED SIDE PANEL. (37 TOTAL SPACES)

LENGTH OPTIONS

- 6' BENCH
- 8' BENCH


DuMor, inc.
 P.O. Box 142 Mifflintown, PA 17059-0142

SCALE : NONE
 DATE DRAWN : 3/22/94
 DRAWN BY : AH
 DATE REV. : 3/11/05
 REV. BY : AWH

TITLE : BENCH

REV. E

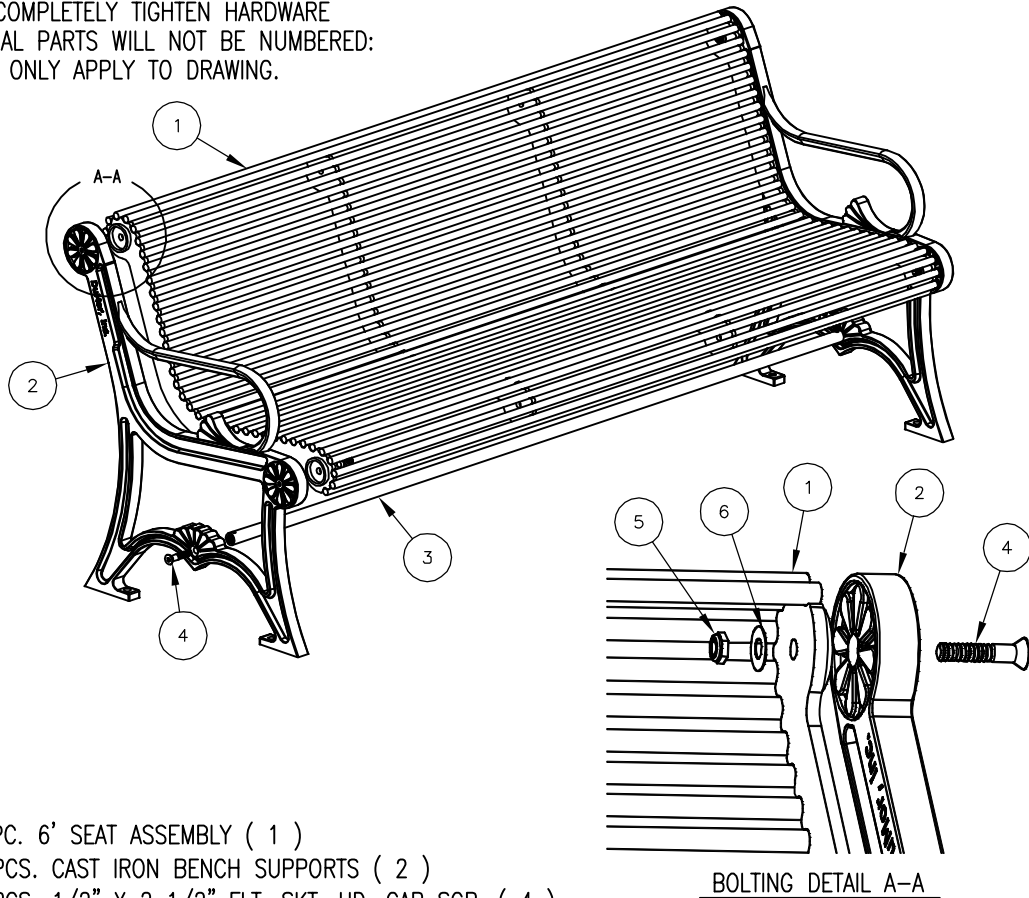
DRAWING NUMBER

19 SERIES

SHEET 1 OF 2

NOTE:

- 1.) DURING ASSEMBLY PROCEDURE;
DO NOT COMPLETELY TIGHTEN HARDWARE
- 2.) THE ACTUAL PARTS WILL NOT BE NUMBERED:
NUMBERS ONLY APPLY TO DRAWING.



STEP 1:

- USE 1 - PC. 6' SEAT ASSEMBLY (1)
 - 2 - PCS. CAST IRON BENCH SUPPORTS (2)
 - 4 - PCS. 1/2" X 2 1/2" FLT. SKT. HD. CAP SCR. (4)
 - 4 - PCS. 1/2" SS THIN NYLON LOCKNUT (5)
 - 4 - PCS. 1/2" SS FLAT WASHER (6)
- ATTACH CAST IRON BENCH SUPPORT (2) TO 6' SEAT ASSEMBLY (1) USING HARDWARE (4, 5, & 6). TIGHTEN TO SNUG FIT.

STEP 2:

- USE 1 - PC. 71 3/4" PIPE BRACE (3)
 - 2 - PCS. 1/2" X 2 1/2" FLT. SKT. HD. CAP SCR (4)
- ATTACH 71 3/4" PIPE BRACE (3) TO STEP 1 ASSEMBLY USING HARDWARE (4). TIGHTEN SNUG FIT.

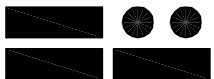
STEP 3:

UPON COMPLETION OF BENCH ASSEMBLY SQUARE ALL COMPONENTS THEN TIGHTEN ALL HARDWARE.

STEP 4:

MOUNT AND ANCHOR AS SPECIFIED.

ITEM	QTY	PART NO	DESCRIPTION
1	1	0-19-60-01	6' STL SEAT SECTION
2	2	0-57-00-02	CAST IRON BENCH SUPPORT
3	1	0-57-60-04	71 3/4" PIPE BRACE
4	6	1-12-065	1/2" X 2 1/2" FLT SKT HD CAP SCR
5	4	1-20-018	1/2" SS THIN NYLON LOCKNUT
6	4	1-22-015	1/2" SS FLAT WASHER

 DuMor, inc. P.O. Box 142 Mifflintown, PA 17059-0142	SCALE :	NONE	TITLE : <h2 style="margin: 0;">BENCH ASSEMBLY</h2>		
	DATE DRAWN :	3/22/94			
	DRAWN BY :	AH	REV. : <h2 style="margin: 0;">E</h2>	DRAWING NUMBER <h2 style="margin: 0;">19 SERIES</h2>	SHEET 2 OF 2
	DATE REV. :	3/11/05			
REV. BY :	AWH				