

LENGTH OPTIONS

- 6' TABLE
- 8' TABLE

WOOD OPTIONS

- 'C' & BTR. DOUGLAS FIR KD S4S EE
- OTHER \_\_\_\_\_



PICNIC TABLE

DATE DRAWN : 3/22/94  
 DRAWN BY : AH  
 DATE REV. : 09/22/15  
 REV. BY : ESS

REV.  
H

DRAWING  
NUMBER

72 SERIES

SHEET  
1 OF 2

**NOTES:**

- 1.) DURING ASSEMBLY PROCEDURE;  
DO NOT COMPLETELY TIGHTEN HARDWARE.
- 2.) THE ACTUAL PARTS WILL NOT BE NUMBERED.  
NUMBERS ONLY APPLY TO DRAWING.
- 3.) UPON COMPLETION OF ASSEMBLY SQUARE  
ALL COMPONENTS THEN TIGHTEN ALL HARDWARE.
- 4.) MOUNT AND ANCHOR AS SPECIFIED.

**TOOLS REQ'D**

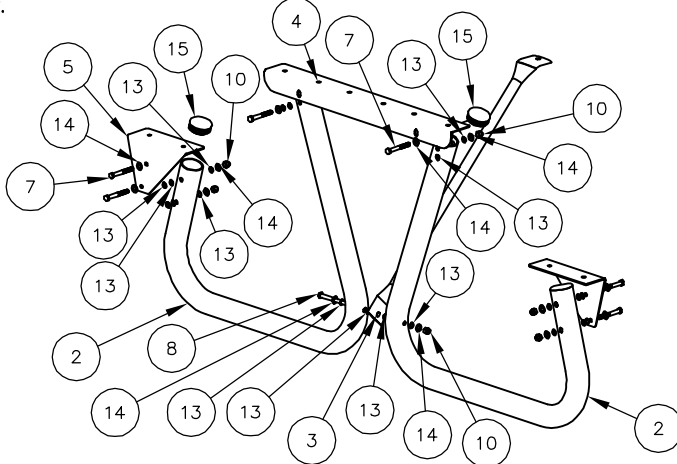
- 1/2" WRENCH
- 9/16" WRENCH

ITEM	QTY	PART NO	PARTS LIST	DESCRIPTION
1	5	0-71-60-01		2" X 10" X 71" SLAT, WOOD
2	4	0-72-00-02		END SUPPORT FRAME
3	2	0-72-00-03		DIAGONAL BRACE
4	2	0-72-00-04		TOP ANGLE
5	4	0-72-00-05		SEAT PLATE
6	20	1-11-062		5/16" X 2 1/4" SS CGE BOLT
7	12	1-12-002		3/8" X 3" SS HEX HD CAP SCR
8	2	1-12-039		3/8" X 5 1/2" SS HEX HD CAP SCR
9	2	1-13-001		5/16" X 1 1/4" SS HEX HD LAG SCR
10	14	1-20-007		3/8" SS NYLON LOCKNUT
11	20	1-21-015		5/16" SS HEX NUT
12	22	1-22-017		5/16" SS FLAT WASHER
13	44	1-22-018		3/8" ID X 5/8" OD RUBBER WASHER
14	28	1-22-024		3/8" SS FLAT WASHER
15	8	5-48-859		2" BLACK PLASTIC PLUG

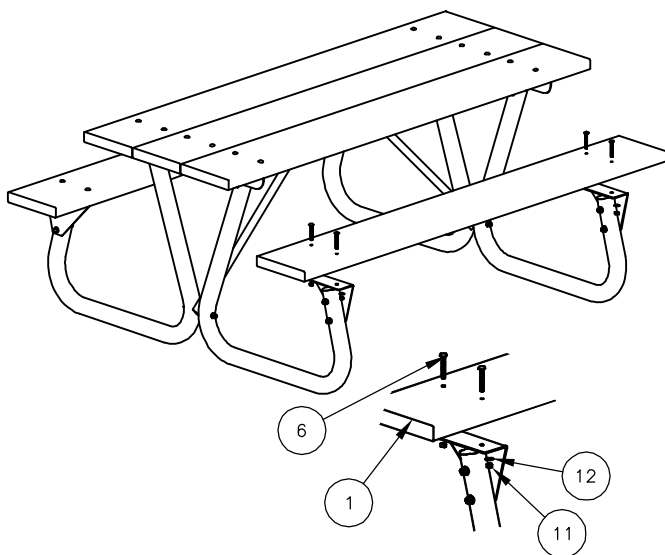
**KITS PROVIDED**

ITEM	QTY	PART NO	DESCRIPTION
16	1	K-72	72 SERIES HARWARE KIT

**1** INSERT PLUGS IN END SUPPORT FRAMES, ATTACH DIAGONAL BRACE, TOP ANGLE & SEAT PLATE TOGETHER.



**2** ATTACH SLATS TO STEP 1.



**3** ATTACH TOP OF DIAGONAL BRACES TO STEP 2.

