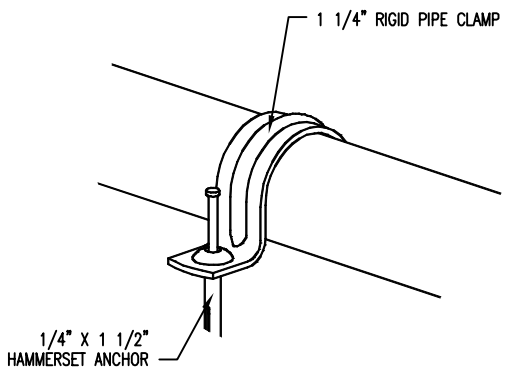


FINISH OPTIONS:

- ALL STL. MEMBERS COATED W/ ZINC RICH EPOXY THEN FINISHED W/ POLYESTER POWDER COATING.
- HOT DIP GALV. AFTER FABRICATION.

NOTE:

- 1.) 1/4" X 1 1/2" HAMMERSET ANCHORS AND 1 1/4" PIPE CLAMPS PROVIDED ( 4 - PCS )



ANCHORING DETAIL



PICNIC TABLE

DATE DRAWN : 3/22/94  
 DRAWN BY : CDC  
 DATE REV. : 07/30/15  
 REV. BY : ESS

REV.  
H

DRAWING NUMBER

71-68-1A

SHEET  
1 OF 2

**NOTES:**

- 1.) DURING ASSEMBLY PROCEDURE;  
DO NOT COMPLETELY TIGHTEN HARDWARE.
- 2.) THE ACTUAL PARTS WILL NOT BE NUMBERED.  
NUMBERS ONLY APPLY TO DRAWING.
- 3.) UPON COMPLETION OF ASSEMBLY SQUARE  
ALL COMPONENTS THEN TIGHTEN ALL HARDWARE.
- 4.) MOUNT AND ANCHOR AS SPECIFIED.

**TOOLS REQ'D**

- 1/2" WRENCH
- 3/16" ALLEN WRENCH
- HAMMER

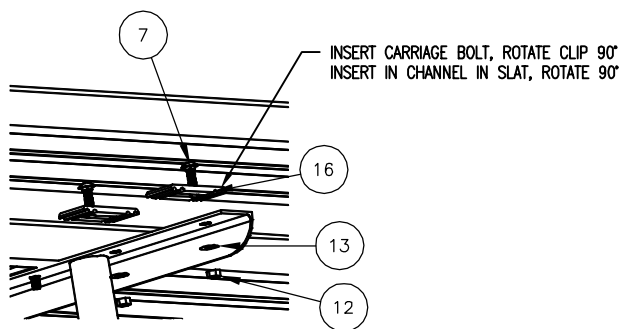
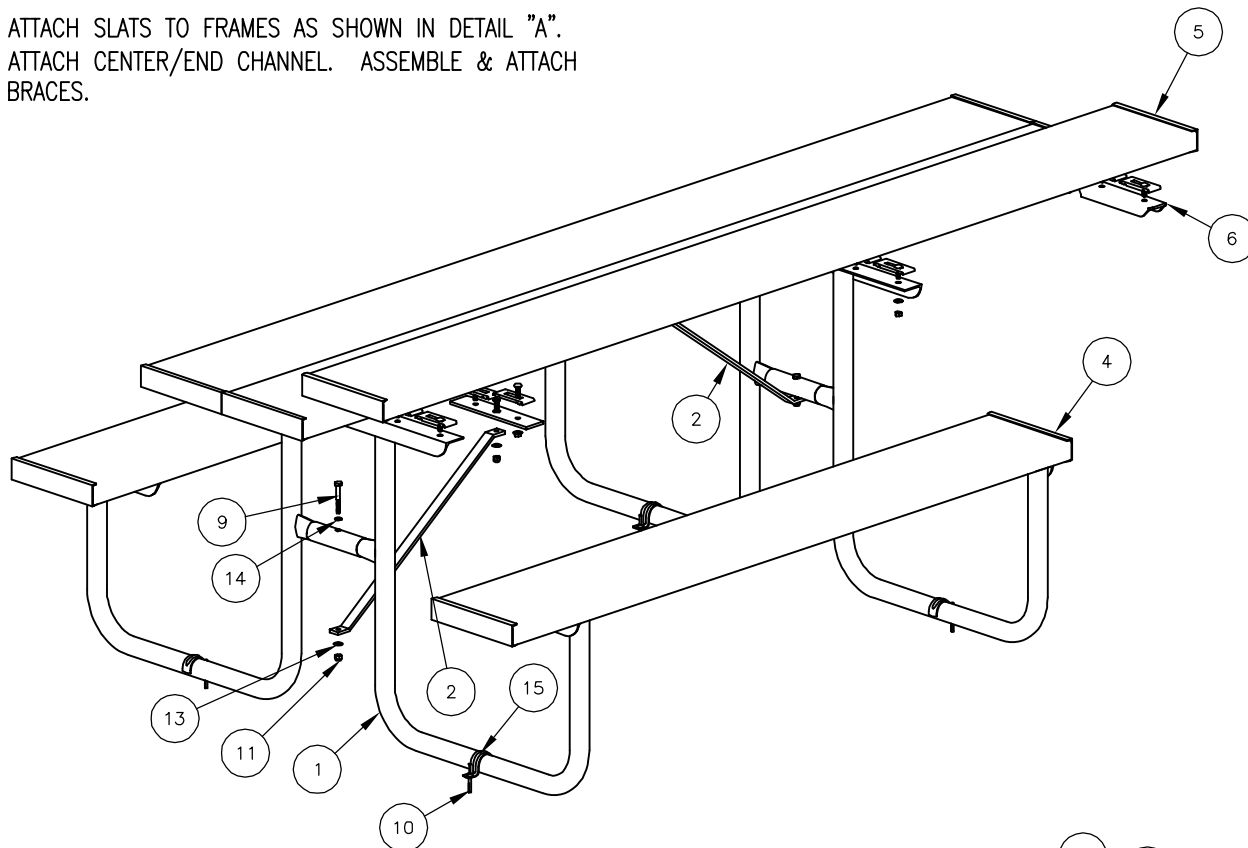
**PARTS LIST**

ITEM	QTY	PART NO	DESCRIPTION
1	2	0-71-00-02	END SUPPORT FRAME
2	2	0-71-00-03	DIAGONAL BRACE
3	2	0-71-00-08	BOLT PLATE FOR ALUM PLANK
4	2	0-71-68-1A	2" X 10" X 66" ALUMINUM PLANK
5	3	0-71-80A	2" X 10" X 8' ALUM. PLANK ASSEMBLY
6	1	0-77-00-03	CENTER/END CHANNEL
7	30	1-11-032	5/16" X 1" SS CGE BOLT
8	2	1-12-023	5/16" X 1" SS FLT SKT HD CAP SCR
9	2	1-12-079	5/16" X 2 1/2" SS HEX HD CAP SCR
10	4	1-17-021	1/4" X 1 1/2" SS HAMMERSET ANCHOR
11	4	1-20-016	5/16" SS NYLON LOCKNUT
12	30	1-21-015	5/16" SS HEX NUT
13	34	1-22-017	5/16" SS FLAT WASHER
14	2	1-22-018	3/8" ID X 5/8" OD RUBBER WASHER
15	4	5-48-491	1 1/4" RIGID PIPE CLAMP, 3/8" DIA HOLE, PLTD
16	30	5-48-702	ALUMINUM CLIP

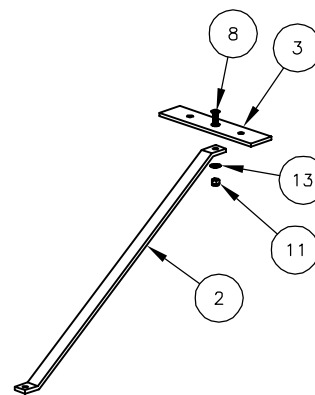
**KITS PROVIDED**

ITEM	QTY	PART NO	DESCRIPTION
17	1	K-71A	71 SERIES A HARDWARE KIT
18	1	K-ALUMCLIP-32	ALUMINUM CLIP, 32 PCS
19	1	K-ANC-CLIP-10-4	1 1/4" SCH 40 CLAMP, 4 PCS
20	1	K-ANCHAM0424-4	1/4" X 1 1/2" SS ANCHOR KIT (4PC)

- ① ATTACH SLATS TO FRAMES AS SHOWN IN DETAIL "A".  
ATTACH CENTER/END CHANNEL. ASSEMBLE & ATTACH BRACES.



DETAIL "A"



BRACE ASSEMBLY