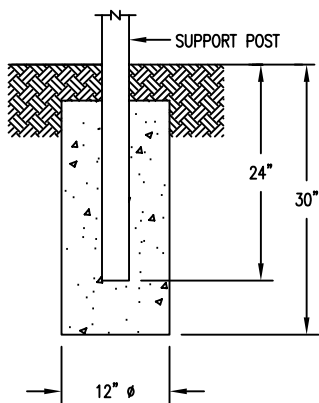
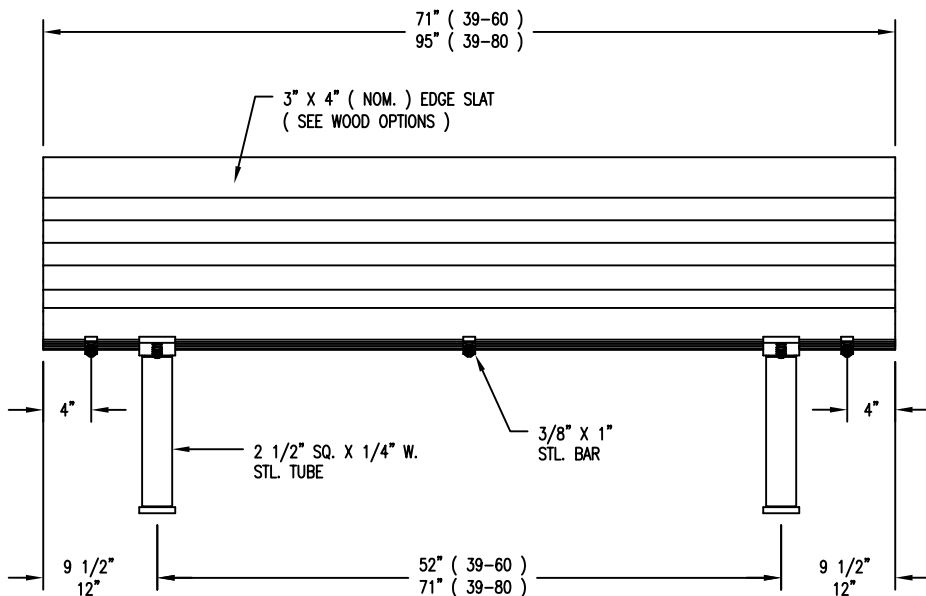
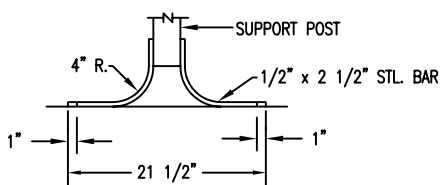
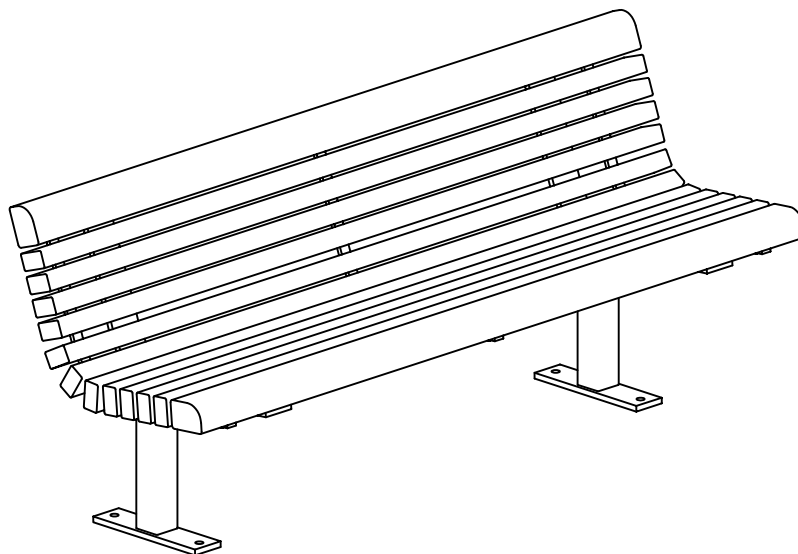


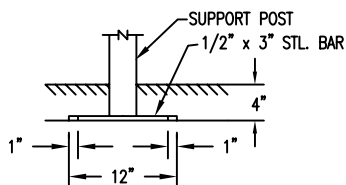
S-2 SURFACE



S-1 EMBEDMENT



S-3 GULL WING



S-4 SUB FLOOR

LENGTH OPTIONS

- 6' BENCH
- 8' BENCH

NOTES

- 1.) ALL STL. MEMBERS COATED W/ ZINC RICH EPOXY THEN FINISHED W/ POLYESTER POWDER COATING.
- 2.) ALL WOOD MEMBERS TREATED W/ CLEAR PRESERVATIVE.
- 3.) 1/2" X 3 3/4" EXPANSION BOLTS PROVIDED FOR S-2, S-3 & S-4 OPTIONS.

WOOD OPTIONS

- 'C' & BTR. DOUGLAS FIR KD S4S EE
- IPE S4S EE
- OTHER _____


DuMor, inc.
 P.O. Box 142 Mifflintown, PA 17059-0142

SCALE : NONE
 DATE DRAWN : 3/24/94
 DRAWN BY : AH
 DATE REV. : 10/26/11
 REV. BY : ESS

TITLE :
 REV. E

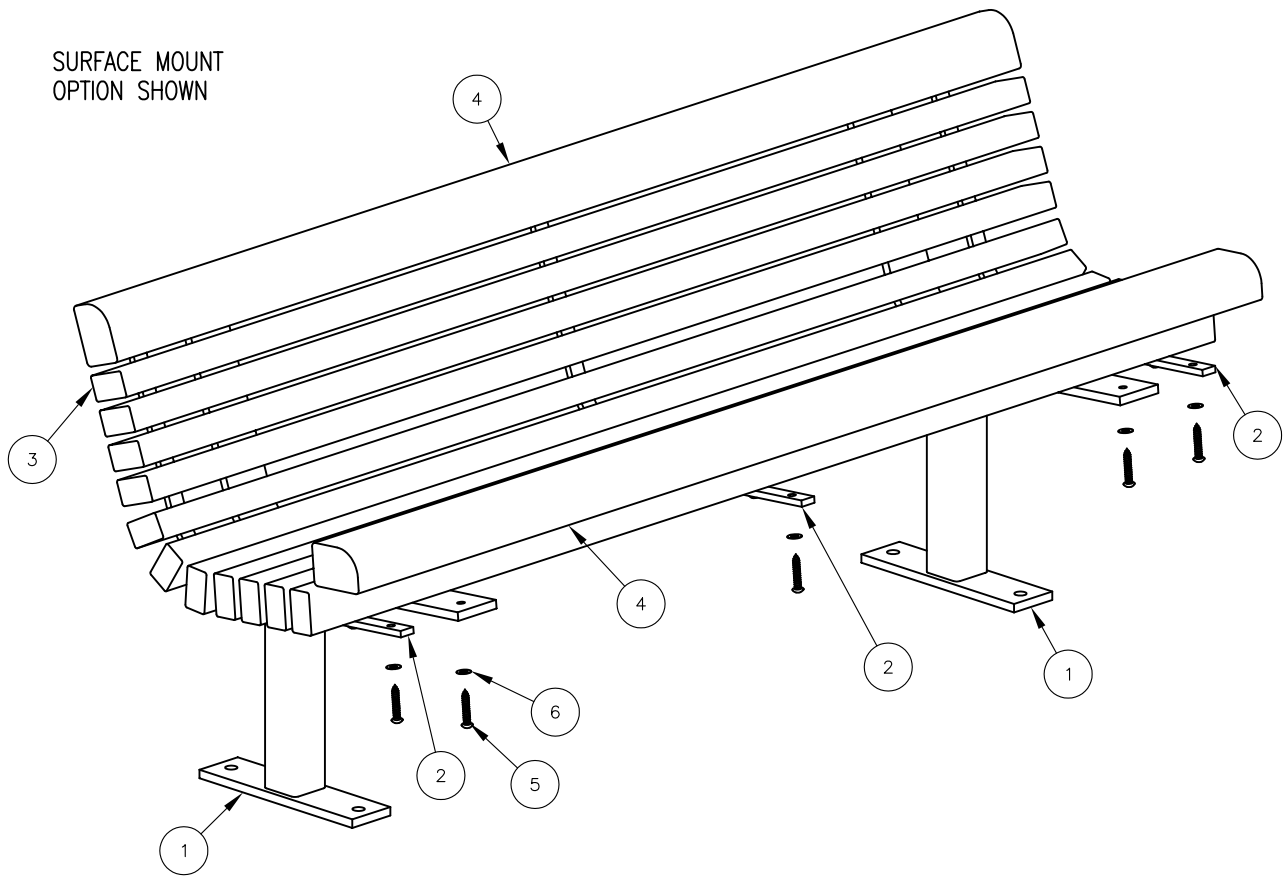
BENCH

DRAWING NUMBER

39 SERIES

SHEET 1 OF 2

SURFACE MOUNT
OPTION SHOWN



STEP 1:

- USE 2 - PCS. SEAT SUPPORT FOR SURFACE MOUNT (1)
- 2 - PCS. 3" X 4" X 71" WOOD EDGE SLAT (4)
- 11 - PCS. 2" X 3" X 71" WOOD INT'R SLAT (3)
- 26 - PCS. 3/8" X 2" SS. BTN. SKT. HD. LAG SCR. (5)
- 26 - PCS. 3/8" SS. FLAT WASHER (6)

ATTACH SLATS (3 & 4) TO SEAT SUPPORT FOR SURFACE MOUNT (1) USING HARDWARE (5 & 6). TIGHTEN TO SNUG FIT. REPEAT UNTIL ALL SLATS ARE ATTACHED.

STEP 2:

- USE 3 - PCS. CONTOUR STRAP (2)
- 39 - PCS. 3/8" X 2" SS. BTN. SKT. HD. LAG SCR. (5)
- 39 - PCS. 3/8" SS. FLAT WASHER (6)

ATTACH CONTOUR STRAP (2) TO STEP 1 ASSEMBLY USING HARDWARE (5 & 6). TIGHTEN TO SNUG FIT.

STEP 3:

UPON COMPLETION OF BENCH ASSEMBLY SQUARE ALL COMPONENTS THEN TIGHTEN ALL HARDWARE.

STEP 4:

ANCHOR ACCORDING TO SUPPORT OPTION USED.

NOTE:

- 1.) DURING ASSEMBLY PROCEDURE;
DO NOT COMPLETELY TIGHTEN HARDWARE.
- 2.) THE ACTUAL PARTS WILL NOT BE NUMBERED;
NUMBERS ONLY APPLY TO DRAWING.
- 3.) SEE SPEC. SHEET 1 FOR MOUNTING OPTION.

ITEM	QTY	PART NO	DESCRIPTION
1	2	0-39-00-03/S-2	SUPPORT FOR SURFACE MT
2	3	0-39-00-04	CONTOUR STRAP
3	11	0-39-60-01	2" X 3" X 71" WOOD SLAT
4	2	0-39-60-02	3" X 4" X 71" WOOD EDGE SLAT
5	65	1-13-016	3/8" X 2" SS BTN SKT HD LAG SCR
6	65	1-22-024	3/8" SS FLAT WASHER

DuMor, inc.
P.O. Box 142 Mifflintown, PA 17059-0142

SCALE : NONE
DATE DRAWN : 3/24/94
DRAWN BY : AH
DATE REV. : 12/15/08
REV. BY : ESS

TITLE : BENCH ASSEMBLY

REV. D	DRAWING NUMBER 39 SERIES	SHEET 2 OF 2
--------	--------------------------	--------------