

SLAT OPTIONS


- "CEDAR" RECYCLED PLASTIC
- "GREY" RECYCLED PLASTIC
- "REDWOOD" RECYCLED PLASTIC
- "WALNUT" RECYCLED PLASTIC
- OTHER _____

NOTES

1.) 1/2" X 3 3/4" EXPANSION ANCHORS PROVIDED.

FINISH OPTIONS:

- ALL STL. MEMBERS COATED W/ ZINC RICH EPOXY THEN FINISHED W/ POLYESTER POWDER COATING.
- HOT DIP GALV. AFTER FABRICATION.

	PICNIC TABLE	DATE DRAWN : 03/22/94	REV. J	DRAWING NUMBER 77-68-1PL	SHEET 1 OF 2
		DRAWN BY : CDC			
		DATE REV. : 01/11/17			
		REV. BY : RDH			

NOTES:

- 1.) DURING ASSEMBLY PROCEDURE;
DO NOT COMPLETELY TIGHTEN HARDWARE.
- 2.) THE ACTUAL PARTS WILL NOT BE NUMBERED.
NUMBERS ONLY APPLY TO DRAWING.
- 3.) UPON COMPLETION OF ASSEMBLY SQUARE
ALL COMPONENTS THEN TIGHTEN ALL HARDWARE.
- 4.) MOUNT AND ANCHOR AS SPECIFIED.

TOOLS REQ'D

- 1/2" WRENCH
- 3/4" WRENCH
- 1/2" MASONRY DRILL BIT
DRILL

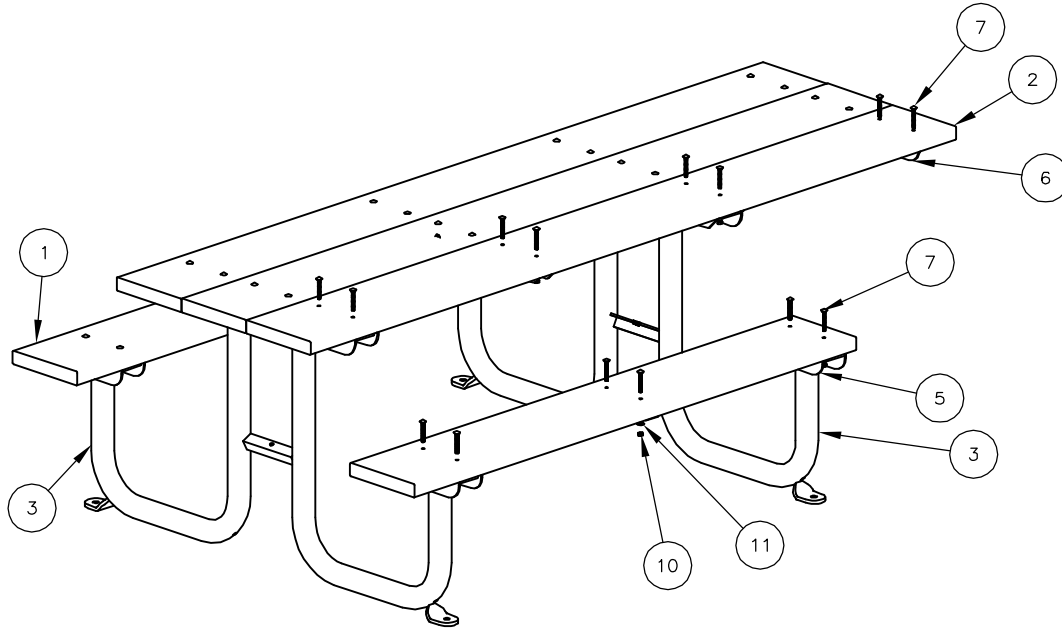
PARTS LIST

ITEM	QTY	PART NO	DESCRIPTION
1	2	0-71-68-1PL-1	2" X 10" X 65" SLAT, PLASTIC
2	3	0-71-68-1PL-2	2" X 10" X 95" SLAT, PLASTIC
3	2	0-77-00-01	END SUPPORT FRAME
4	2	0-77-60-02	DIAGONAL BRACE FOR 6' TABLE
5	2	0-77-60-14	6' SEAT BRACE
6	1	0-77-68-1-15	TABLE TOP BRACE, HANDICAPPED
7	36	1-11-062	5/16" X 2 1/4" SS CGE BOLT
8	4	1-12-061	5/16" X 1" SS HEX HD CAP SCR
9	4	1-20-016	5/16" SS NYLON LOCKNUT
10	36	1-21-015	5/16" SS HEX NUT
11	44	1-22-017	5/16" SS FLAT WASHER

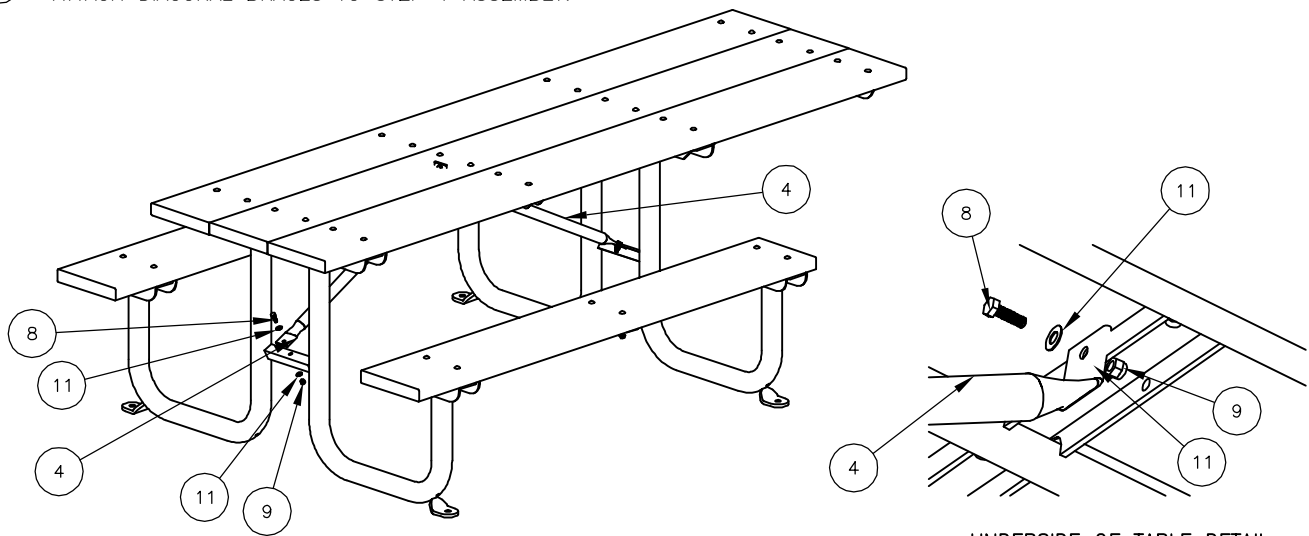
KITS PROVIDED

ITEM	QTY	PART NO	DESCRIPTION
12	1	K-77PL	77PL SER HARDWARE KIT
13	1	K-ANCO860-4	1/2" X 3 3/4" SS ANCHOR KIT (4PC)

- ① ATTACH SUPPORT FRAMES TO SLATS. BE SURE TABLE & SEAT BRACES ARE BETWEEN SLATS & SUPPORT FRAMES.



- ② ATTACH DIAGONAL BRACES TO STEP 1 ASSEMBLY.



UNDERSIDE OF TABLE DETAIL