

NOTES:

- 1.) ALL STL. MEMBERS COATED W/ ZINC RICH EPOXY THEN FINISHED W/ POLYESTER POWDER COATING.
- 2.) 1/2" X 3 3/4" EXPANSION ANCHOR BOLTS PROVIDED.



RECEPTACLE

DATE DRAWN : 10/29/14
 DRAWN BY : RDH
 DATE REV. : 3/22/17
 REV. BY : JSB

REV.
B

DRAWING NUMBER

272-32
W/ CVN-20-FT0

SHEET
1 OF 2

PARTS LIST

ITEM	QTY	PART NO	DESCRIPTION
1	1	0-272-30	30 GAL STL RECEPT ASSEMBLY FOR TOP DEPOSIT
2	1	49-32T	32 GAL PLASTIC LINER

KITS PROVIDED

ITEM	QTY	PART NO	DESCRIPTION
3	1	K-ANC0860-3	1/2" X 3 3/4" SS ANCHOR KIT (3PCS)

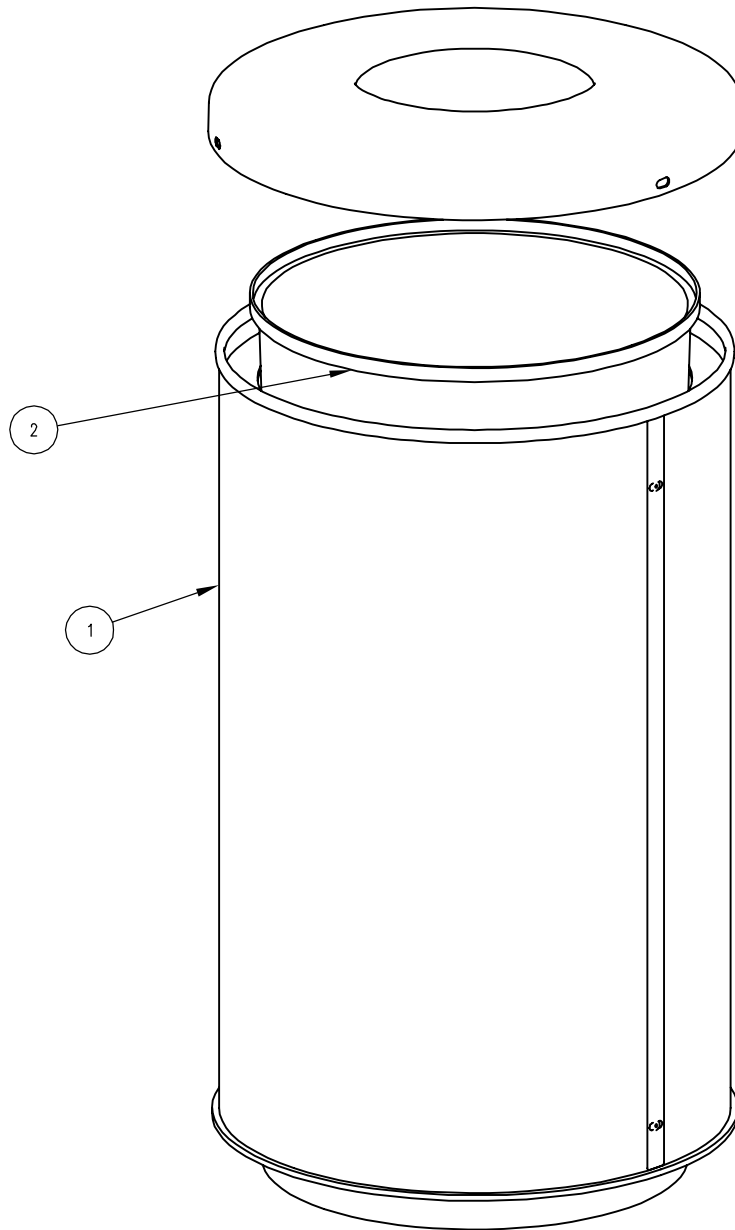
NOTES:

- 1.) THE ACTUAL PARTS WILL NOT BE NUMBERED. NUMBERS ONLY APPLY TO DRAWING.
- 2.) MOUNT AND ANCHOR AS SPECIFIED.

TOOLS REQ'D

- 3/4" WRENCH
 PLIERS (FOR ATTACHING COVER)
 1/2" MASONRY DRILL BIT
 DRILL

1



ASSEMBLY INSTRUCTIONS

DATE DRAWN : 10/29/14
 DRAWN BY : RDH
 DATE REV. : 3/22/17
 REV. BY : JSB

REV. B

DRAWING NUMBER

272-32
 W/ CVN-20-FTO

SHEET 2 OF 2