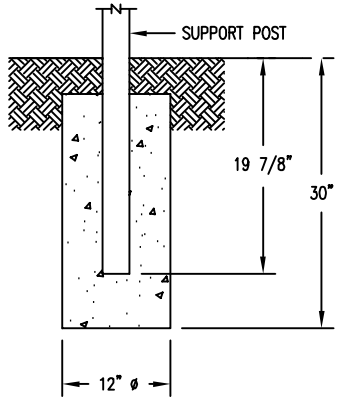
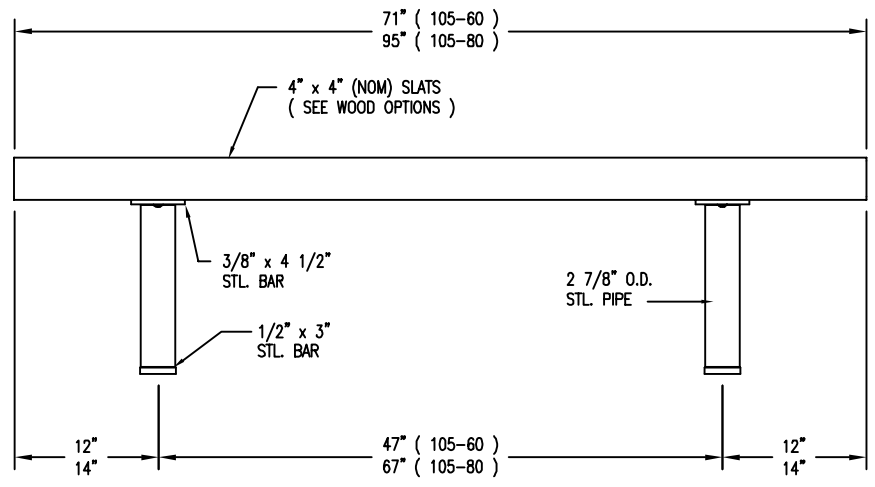
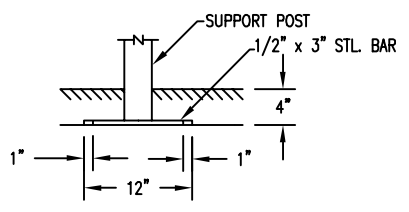
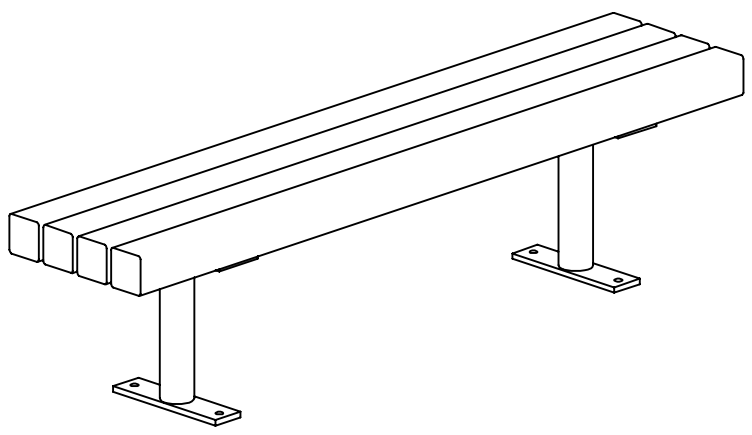


S-2 SURFACE



S-1 EMBEDMENT



S-4 SUB FLOOR

LENGTH OPTIONS

- 6' BENCH
- 8' BENCH

NOTES

- 1.) ALL STL. MEMBERS COATED W/ ZINC RICH EPOXY THEN FINISHED W/ POLYESTER POWDER COATING.
- 2.) 1/2" X 3 3/4" EXPANSION ANCHOR BOLTS PROVIDED FOR S-2 & S-4 OPTIONS.

WOOD OPTIONS

- 'C' & BTR. DOUGLAS FIR KD S4S EE
- IPE S4S EE
- OTHER \_\_\_\_\_



BENCH

DATE DRAWN : 01/18/97  
 DRAWN BY : AH  
 DATE REV. : 10/27/11  
 REV. BY : RDH

REV.  
F

DRAWING NUMBER

105 SERIES

SHEET  
1 OF 2

PARTS LIST FOR S-2

ITEM	QTY	PART NO	DESCRIPTION
1	2	0-105-00-01/S-2	SUPPORT FOR SURFACE MOUNT
2	4	0-56-60-01	4" X 4" X 71" SLAT, WOOD
3	8	1-13-016	3/8" X 2" SS BTN SKT HD LAG SCR
4	8	1-22-024	3/8" SS FLAT WASHER

NOTES:

- 1.) DURING ASSEMBLY PROCEDURE;  
DO NOT COMPLETELY TIGHTEN HARDWARE.
- 2.) THE ACTUAL PARTS WILL NOT BE NUMBERED.  
NUMBERS ONLY APPLY TO DRAWING.
- 3.) UPON COMPLETION OF ASSEMBLY SQUARE  
ALL COMPONENTS THEN TIGHTEN ALL HARDWARE.
- 4.) MOUNT AND ANCHOR AS SPECIFIED.

TOOLS REQ'D

- 3/4" WRENCH  
1/4" ALLEN WRENCH  
1/2" MASONRY DRILL BIT  
DRILL

KITS PROVIDED FOR S-2

ITEM	QTY	PART NO	DESCRIPTION
5	1	K-ANCO860-4	1/2" X 3 3/4" SS ANCHOR KIT (4PC)
6	1	K-BLO632-8	3/8" LAG HARDWARE KIT (8PC)

① ATTACH SLATS TO SUPPORTS.

