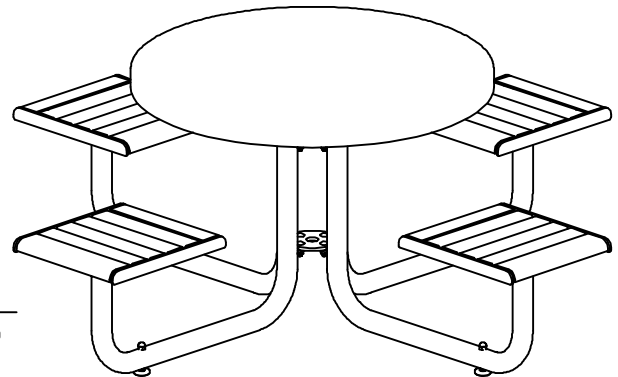


WOOD OPTIONS

- IPE S4S EE
- OTHER _____

NOTES:

- 1.) ALL STL. MEMBERS COATED W/ ZINC RICH EPOXY THEN FINISHED W/ POLYESTER POWDER COATING.
- 2.) 1/2" X 2 1/2" NYLON GLIDES AND 1/2" X 5 1/2" EXPANSION ANCHOR BOLTS PROVIDED.



NOTE:

- 1.) DURING ASSEMBLY PROCEDURE;
DO NOT COMPLETELY TIGHTEN HARDWARE.
- 2.) THE ACTUAL PARTS WILL NOT BE NUMBERED.
NUMBERS ONLY APPLY TO DRAWING.
- 3.) UPON COMPLETION OF ASSEMBLY SQUARE
ALL COMPONENTS THEN TIGHTEN ALL HARDWARE.
- 4.) MOUNT AND ANCHOR AS SPECIFIED.

TOOLS REQ'D

- 3/4" WRENCH
- 1/2" WRENCH
- 5/16" NUT DRIVER
- 1/2" MASONRY DRILL BIT
DRILL

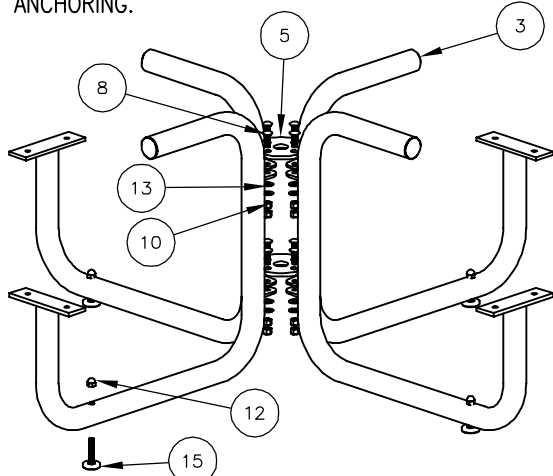
PARTS LIST

| ITEM | QTY | PART NO | DESCRIPTION |
|------|-----|-------------|---|
| 1 | 1 | 0-101-00-01 | 42" DIA STL TABLE TOP |
| 2 | 4 | 0-101-00-05 | PIPE CLAMP (101) |
| 3 | 4 | 0-294-00-01 | SUPPORT FRAME / 1-SEAT |
| 4 | 16 | 0-294-00-04 | 15 1/4" SEAT SLAT, WOOD |
| 5 | 2 | 0-294-40-07 | STL BOLTING PLATE FOR 4 LEGS |
| 6 | 4 | 0-295-00-03 | BKLS STL SEAT FRAME FOR WOOD |
| 7 | 8 | 1-11-032 | 5/16" X 1" SS CGE BOLT |
| 8 | 16 | 1-11-042 | 1/2" X 1 1/2" SS CGE BOLT |
| 9 | 32 | 1-16-023 | #14 X 7/8 SS HX WASH HD 'A' SLTD WD SCREW |
| 10 | 16 | 1-20-015 | 1/2" SS NYLON LOCKNUT |
| 11 | 8 | 1-20-016 | 5/16" SS NYLON LOCKNUT |
| 12 | 4 | 1-21-019 | 1/2" SS HEX ACORN NUT |
| 13 | 16 | 1-22-015 | 1/2" SS FLAT WASHER |
| 14 | 8 | 1-22-017 | 5/16" SS FLAT WASHER |
| 15 | 4 | 5-48-077 | 1/2" X 2 1/2" GLIDE |

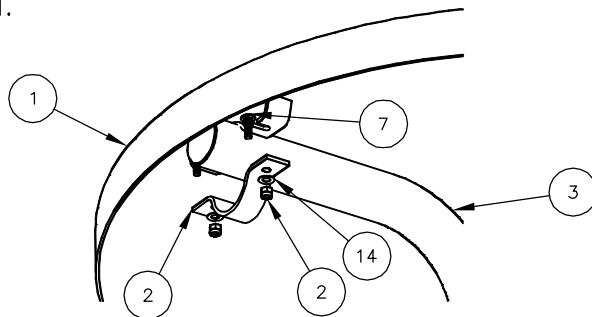
KITS PROVIDED

| ITEM | QTY | PART NO | DESCRIPTION |
|------|-----|-------------|-----------------------------------|
| 16 | 1 | K-ANCO888-4 | 1/2" X 5 1/2" SS ANCH KIT (4PCS) |
| 17 | 1 | K-CG0516-8L | 5/16" CGE BOLT HARDWARE KIT (8PC) |
| 18 | 4 | K-CG0824-4L | 1/2" CGE BOLT HARDWARE KIT (4) |
| 19 | 1 | K-GL0840-4A | 1/2" X 2 1/2" GLIDE KIT (4PCS) |
| 20 | 4 | K-WS1414-16 | #14 HEX HD WASH WOOD SCR (16PC) |

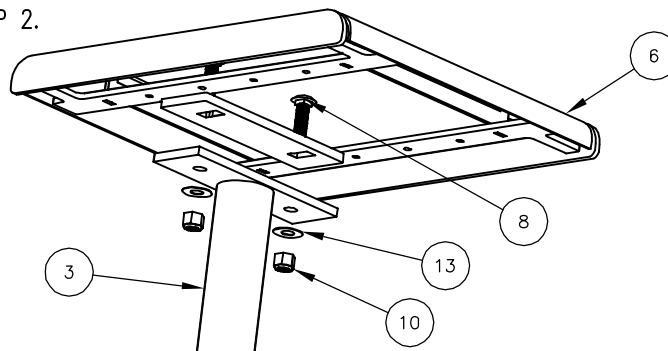
① ATTACH FRAMES TOGETHER. ATTACH GLIDES, UNLESS ANCHORING.



② ATTACH TABLE TOP TO STEP 1.



③ ATTACH SEAT FRAMES TO STEP 2.



④ ATTACH SEAT SLATS TO STEP 3.

