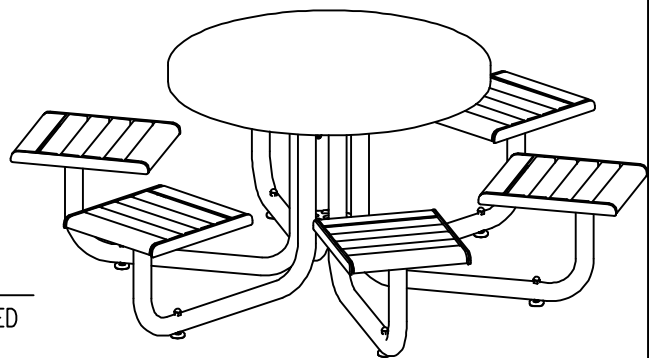


WOOD OPTIONS

- IPE S4S EE
- OTHER _____

NOTES:

- 1.) ALL STL. MEMBERS COATED W/ ZINC RICH EPOXY THEN FINISHED W/ POLYESTER POWDER COATING.
- 2.) 1/2" X 2 1/2" NYLON GLIDES AND 1/2" X 5 1/2" EXPANSION ANCHOR BOLTS PROVIDED.



NOTE:

- 1.) DURING ASSEMBLY PROCEDURE;
DO NOT COMPLETELY TIGHTEN HARDWARE.
- 2.) THE ACTUAL PARTS WILL NOT BE NUMBERED.
NUMBERS ONLY APPLY TO DRAWING.
- 3.) UPON COMPLETION OF ASSEMBLY SQUARE
ALL COMPONENTS THEN TIGHTEN ALL HARDWARE.
- 4.) MOUNT AND ANCHOR AS SPECIFIED.

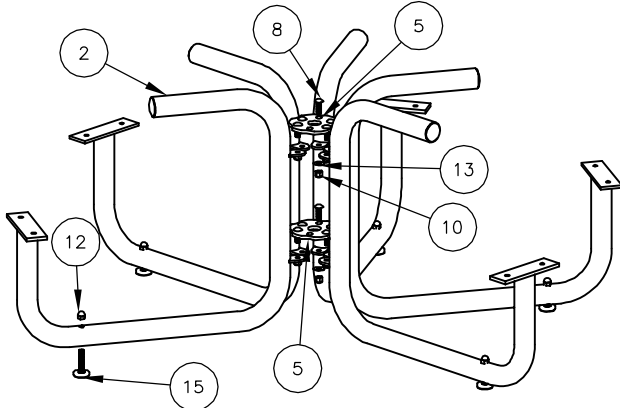
TOOLS REQ'D

- 3/4" WRENCH
- 1/2" WRENCH
- 5/16" NUT DRIVER
- 1/2" MASONRY DRILL BIT
DRILL

PARTS LIST

ITEM	QTY	PART NO	DESCRIPTION
1	6	0-101-00-05	PIPE CLAMP (101)
2	6	0-294-00-01	SUPPORT FRAME / 1-SEAT
3	24	0-294-00-04	15 1/4" SEAT SLAT, WOOD
4	1	0-294-60-05	TABLE TOP FOR 6 SEATS
5	2	0-294-60-07	STL BOLTING FRAME FOR 6 LEGS
6	6	0-295-00-03	BKLS STL SEAT FRAME FOR WOOD
7	12	1-11-032	5/16" X 1" SS CGE BOLT
8	24	1-11-042	1/2" X 1 1/2" SS CGE BOLT
9	48	1-16-023	#14 X 7/8 SS HX WASH HD 'A' SLTD WD SCREW
10	24	1-20-015	1/2" SS NYLON LOCKNUT
11	12	1-20-016	5/16" SS NYLON LOCKNUT
12	6	1-21-019	1/2" SS HEX ACORN NUT
13	24	1-22-015	1/2" SS FLAT WASHER
14	12	1-22-017	5/16" SS FLAT WASHER
15	6	5-48-077	1/2" X 2 1/2" GLIDE

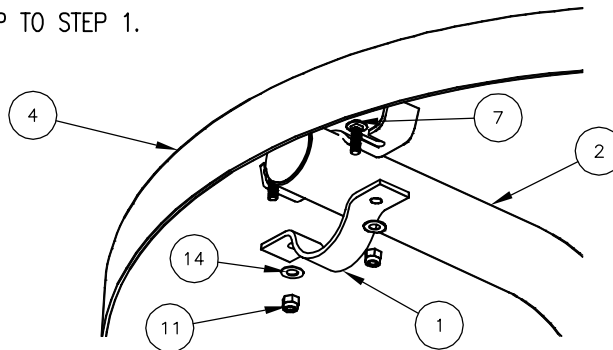
- ① ATTACH FRAMES TOGETHER.
ATTACH GLIDES, UNLESS ANCHORING.
NOTE: ONE LEG REMOVED FROM VIEW FOR CLARITY.



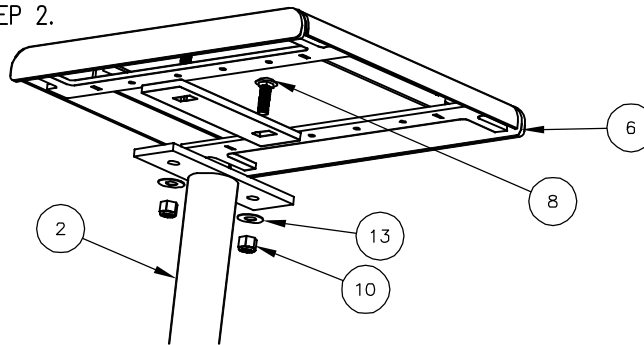
KITS PROVIDED

ITEM	QTY	PART NO	DESCRIPTION
16	2	K-ANCO888-3	1/2" X 5 1/2" SS ANCHOR KIT (3PC)
17	1	K-CG0516-12L	5/16" CGE BOLT HARDWARE KIT (12PC)
18	6	K-CG0824-4L	1/2" CGE BOLT HARDWARE KIT (4)
19	2	K-GL0840-3A	1/2" X 2 1/2" GLIDE KIT W/ ACORN NUT (3PC)
20	3	K-WS1414-16	#14 HEX HD WASH WOOD SCR (16PC)

- ② ATTACH TABLE TOP TO STEP 1.



- ③ ATTACH SEAT FRAMES TO STEP 2.



- ④ ATTACH SEAT SLATS TO STEP 3.

