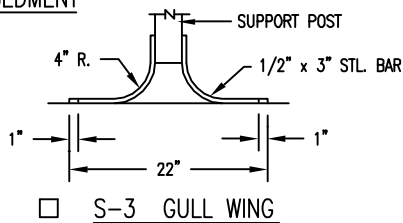
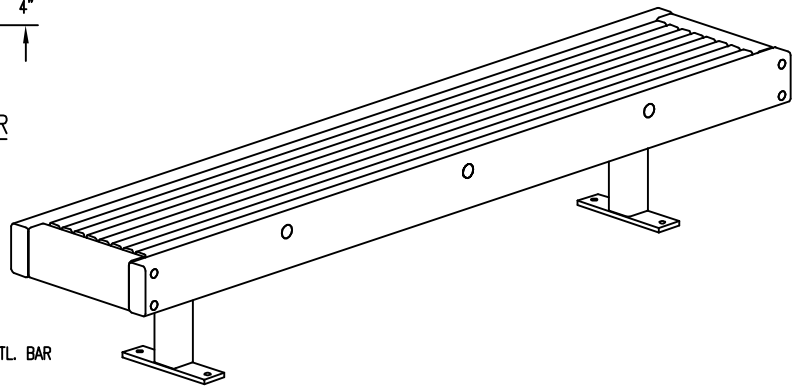


S-2 SURFACE



NOTES

- 1.) ALL STL. MEMBERS COATED W/ ZINC RICH EPOXY THEN FINISHED W/ POLYESTER POWDER COATING.
- 2.) ALL WOOD MEMBERS TREATED W/ CLEAR PRESERVATIVE.
- 3.) SEAT PORTION SHIPPED FULLY ASSEMBLED.
- 4.) 1/2" X 3 3/4" EXPANSION ANCHOR BOLTS PROVIDED FOR S-2, S-3 & S-4 OPTIONS.

WOOD OPTIONS

- IPE S4S EE
- 'C' & BTR. DOUGLAS FIR KD S4S EE
- OTHER \_\_\_\_\_

**DuMor, inc.**  
P.O. Box 142 Mifflintown, PA 17059-0142

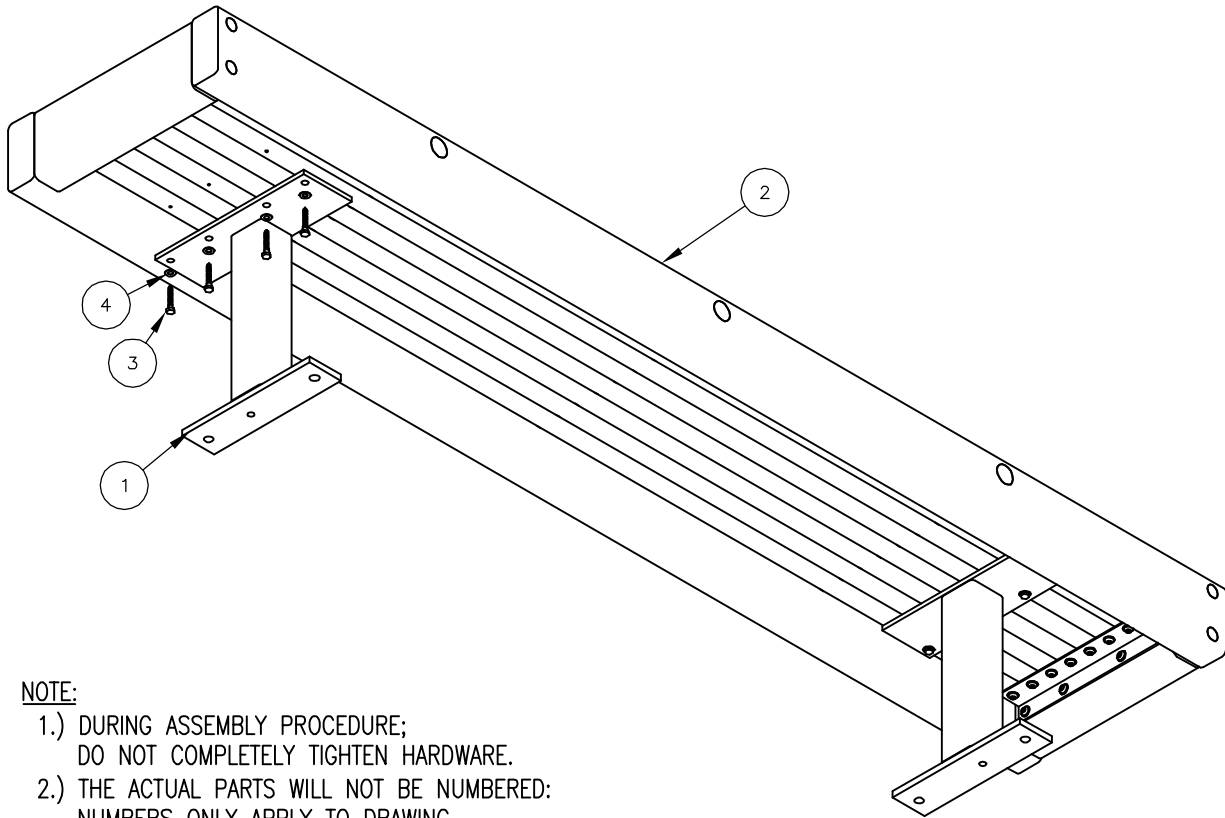
SCALE : NONE  
DATE DRAWN : 11/16/01  
DRAWN BY : JSB  
DATE REV. : 10/27/11  
REV. BY : RDH

TITLE : BENCH

REV. C

DRAWING NUMBER 37-80

SHEET 1 OF 2



**NOTE:**

- 1.) DURING ASSEMBLY PROCEDURE;  
DO NOT COMPLETELY TIGHTEN HARDWARE.
- 2.) THE ACTUAL PARTS WILL NOT BE NUMBERED;  
NUMBERS ONLY APPLY TO DRAWING.
- 3.) SEE SPEC. SHEET 1 FOR MOUNTING OPTIONS.

**STEP 1:**

USE 2 - PC. SUPPORT FOR SURFACE MOUNT ( 1 )  
 1 - PC. SEAT ASSEMBLY ( 2 )  
 8 - PCS. 5/16" X 2" SS. HEX LAG ( 3 )  
 8 - PCS. 5/16" SS. FLAT WASHER ( 4 )  
 ATTACH SUPPORTS FOR SURFACE MOUNT ( 1 ) TO SEAT ASSEMBLY  
 ( 2 ) USING HARDWARE ( 3 & 4 ). TIGHTEN TO SNUG FIT.

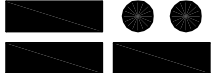
**STEP 2:**

UPON COMPLETION OF BENCH ASSEMBLY SQUARE ALL  
 COMPONENTS THEN TIGHTEN ALL HARDWARE.

**STEP 3:**

ANCHOR ACCORDING TO SUPPORT OPTION USED.

ITEM	QTY	PART NO	DESCRIPTION
1	2	0-37-00-02/S-2	SUPPORT FOR SURFACE MOUNT
2	1	0-37-80-01	8' SEAT ASSEMBLY
3	8	1-13-038	5/16" X 2" SS HEX HD LAG SCR
4	8	1-22-017	5/16" SS FLAT WASHER

 <b>DuMor, inc.</b> P.O. Box 142 Mifflintown, PA 17059-0142	SCALE :	NONE	TITLE : <b>BENCH ASSEMBLY</b>	
	DATE DRAWN :	11/16/01		
	DRAWN BY :	JSB	REV.	DRAWING NUMBER
	DATE REV. :	10/27/11	C	37-80
	REV. BY :	RDH		