

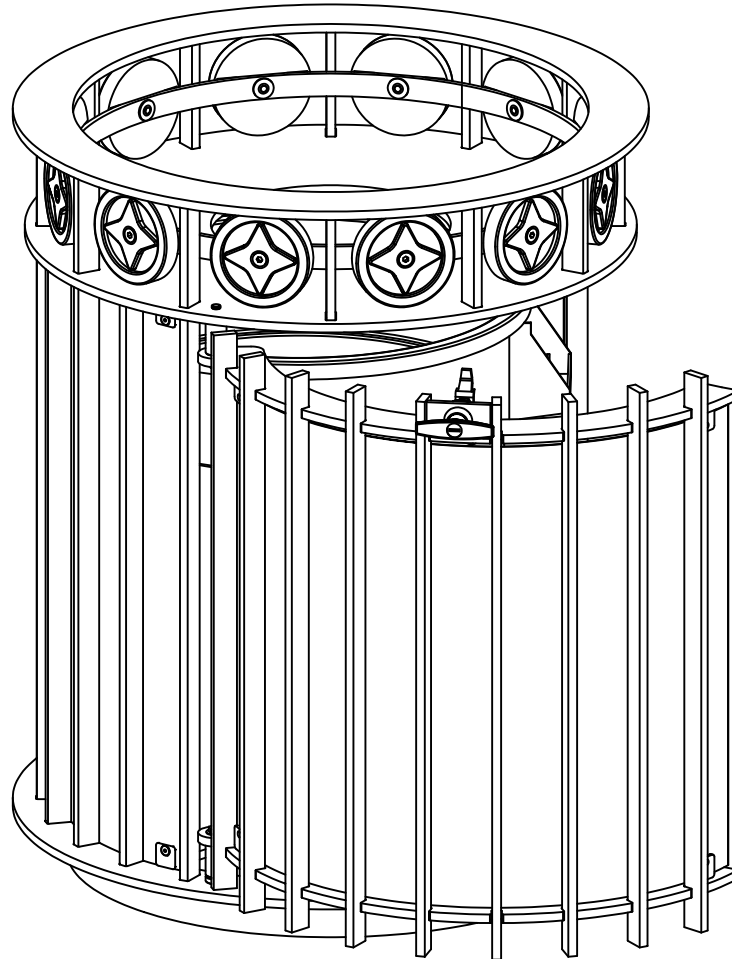
NOTES:

- 1.) ALL STL. MEMBERS COATED W/ ZINC RICH EPOXY THEN FINISHED W/ POLYESTER POWDER COATING.
- 2.) 1/2" X 3 3/4" EXPANSION ANCHOR BOLTS PROVIDED.
- 3.) SIDE OF RECEPTACLE HINGES OPEN FOR REMOVAL OF LINER.
- 4.) LATCH PROVIDED W/ KEY, USE OF KEY OPTIONAL.
- 5.) RECEPTACLE FULLY ASSEMBLED AT FACTORY.

DuMor, inc.
 P.O. Box 142 Mifflintown, PA 17059-0142

SCALE : NONE
 DATE DRAWN : 9/10/01
 DRAWN BY : AWH
 DATE REV. : 12/18/09
 REV. BY : AWH

TITLE : RECEPTACLE		DRAWING NUMBER 148-22SH-FTO	SHEET 1 OF 2
REV. D			



NOTE:

- 1.) RECEPTACLE SHIPPED FULLY ASSEMBLED.
- 2.) MOUNT AND ANCHOR AS SPECIFIED.



DuMor, inc.

P.O. Box 142 Mifflintown, PA 17059-0142

SCALE :	NONE
DATE DRAWN :	9/10/01
DRAWN BY :	AWH
DATE REV. :	12/18/09
REV. BY :	AWH

TITLE :		RECEPTACLE	
REV.	D	DRAWING NUMBER	148-22SH-FT0
		SHEET	2 OF 2