

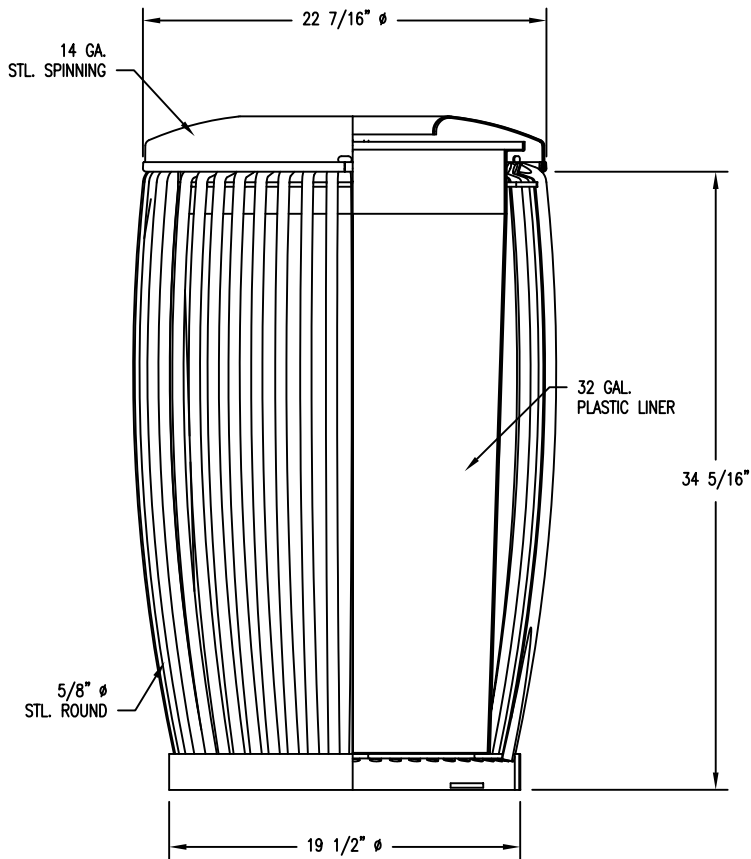
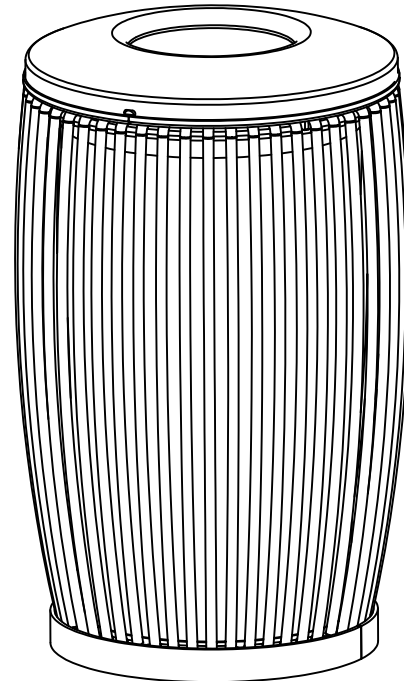
1/2" X 3" S.STL.  
BTN. SKT. HD. CAP SCR. W/  
WASHER & NYLON LOCKNUT

STL. HINGE

1/4" THK.  
STL. PLATE

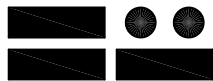
1/4" X 2" STL.  
ANCHOR PLATE W/  
11/16" Ø HOLE  
( 3-PLACES )

Ø10"  
OPENING



NOTES

- 1.) ALL STL. MEMBERS COATED W/ ZINC RICH EPOXY THEN FINISHED W/ POLYESTER POWDER COATING.
- 2.) 1/2" X 3 3/4" EXPANSION ANCHOR BOLTS PROVIDED.



DuMor, inc.

P.O. Box 142 Mifflintown, PA 17059-0142

SCALE : NONE  
DATE DRAWN : 08/09/11  
DRAWN BY : ESS  
DATE REV. :  
REV. BY :

TITLE : RECEPTACLE

REV. A

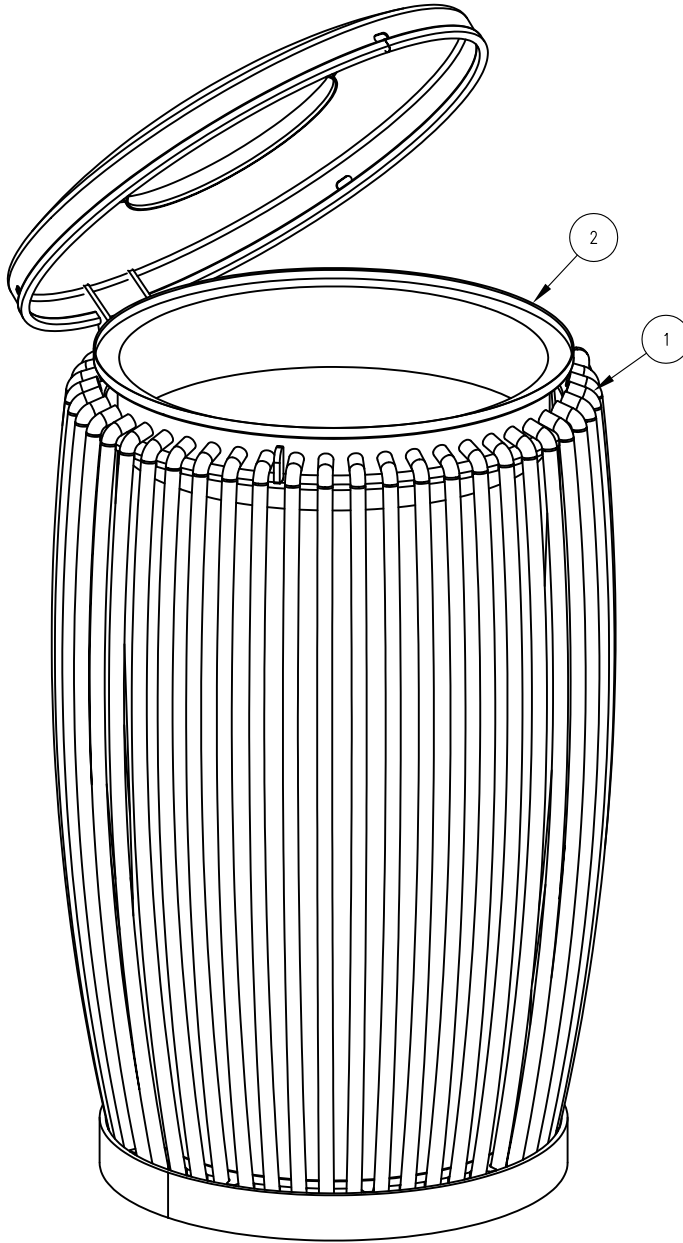
DRAWING NUMBER

428-32-FTO


SHEET 1 OF 2

**NOTE:**

- 1.) THE ACTUAL PARTS WILL NOT BE NUMBERED:  
NUMBERS ONLY APPLY TO DRAWING.
- 2.) RECEPTACLE FULLY ASSEMBLED AT FACTORY.



ITEM	QTY	PART NO	DESCRIPTION
1	1	0-428-FTO	30 GAL STL RECEPT ASMBLY, FLAT TOP COVER
2	1	5-44-053	32 GAL PLASTIC LINER
3	1	K-ANC0860-3	1/2" X 3 3/4" SS ANCHOR KIT (3PCS)

	SCALE :	NONE	TITLE : <h2 style="text-align: center;">RECEPTACLE</h2>		
	DATE DRAWN :	08/09/11			
	DRAWN BY :	ESS	REV.	DRAWING NUMBER  428-32-FTO	SHEET 2 OF 2
	DATE REV. :		A		
	REV. BY :				