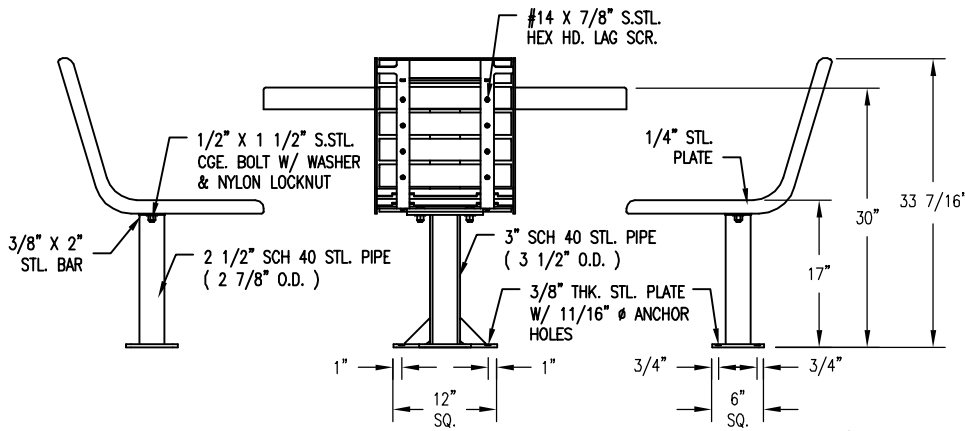
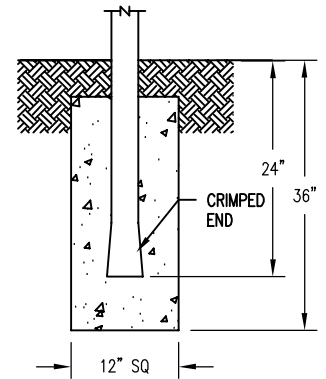


S-4 SUB FLOOR



S-2 SURFACE MOUNT



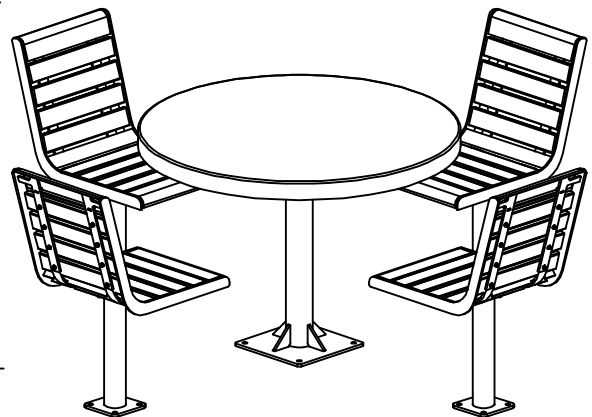
S-1 EMBEDMENT

SLAT OPTIONS

- ANTIQUE MAHOGANY TEXTURED
- BRAZILIAN WALNUT TEXTURED
- OTHER _____

NOTES:

- 1.) ALL STL. MEMBERS COATED W/ ZINC RICH EPOXY THEN FINISHED W/ POLYESTER POWDER COATING.
- 2.) 1/2" X 3 3/4" EXPANSION ANCHOR BOLTS PROVIDED FOR S-2 & S-4 OPTIONS.



NOTES:

- 1.) DURING ASSEMBLY PROCEDURE;
DO NOT COMPLETELY TIGHTEN HARDWARE.
- 2.) THE ACTUAL PARTS WILL NOT BE NUMBERED.
NUMBERS ONLY APPLY TO DRAWING.
- 3.) UPON COMPLETION OF ASSEMBLY SQUARE
ALL COMPONENTS THEN TIGHTEN ALL HARDWARE.
- 4.) MOUNT AND ANCHOR AS SPECIFIED.

TOOLS REQ'D

- 3/4" WRENCH
- 1/4" WRENCH
- 1/2" MASONRY DRILL BIT
DRILL

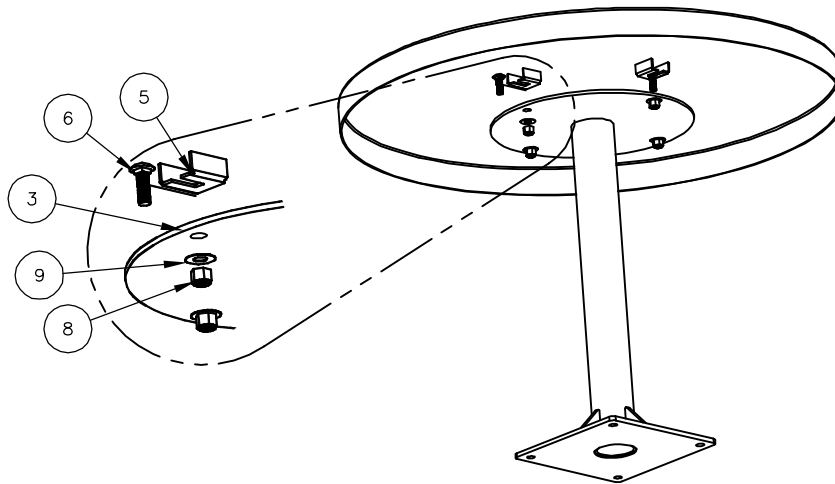
PARTS LIST FOR S-2

ITEM	QTY	PART NO	DESCRIPTION
1	4	0-294-00-03	STL SEAT FRAME FOR WOOD - ALL WELDED
2	32	0-294-00TX-04	15 1/4" SEAT SLAT, TX
3	1	0-296-00-01/S-2	TABLE SUPT FRAME FOR SURFACE MT
4	4	0-296-00-02/S-2	STL PEDESTAL SEAT SUPPORT, PLATES
5	1	0-296-42-03	42" DIA STL TABLE TOP
6	12	1-11-042	1/2" X 1 1/2" SS CGE BOLT
7	64	1-16-023	#14 X 7/8 SS HX WASH HD 'A' SLTD WD SCREW
8	12	1-20-015	1/2" SS NYLON LOCKNUT
9	12	1-22-015	1/2" SS FLAT WASHER

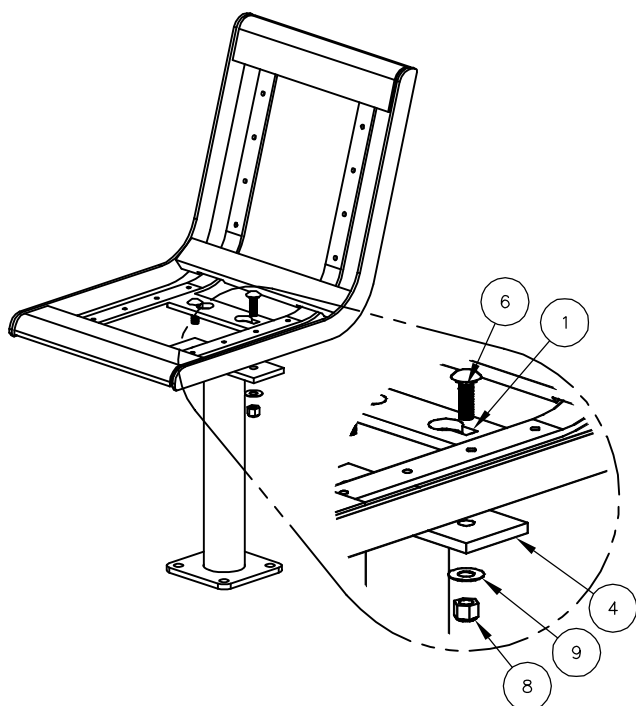
KITS PROVIDED FOR S-2

ITEM	QTY	PART NO	DESCRIPTION
10	5	K-ANCO860-4	1/2" X 3 3/4" SS ANCHOR KIT (4PC)
11	3	K-CG0824-4L	1/2" CGE BOLT HARDWARE KIT (4)
12	4	K-WS1414-16	#14 HEX HD WASH WOOD SCR (16PC)

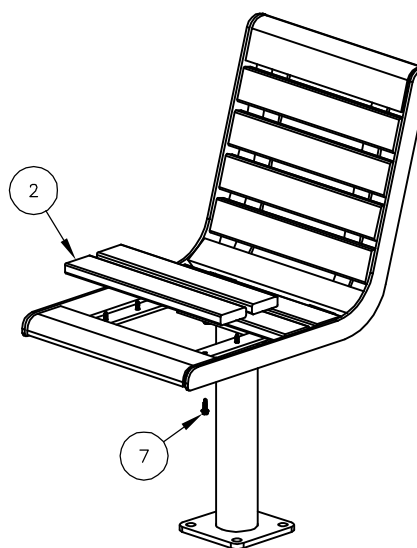
1 ATTACH TABLE TOP TO TABLE SUPPORT.



2 ATTACH STL. SEAT FRAME TO SEAT SUPPORT.



3 ATTACH SLATS TO STEP #2.



NOTE:
IF DESIRED, USE SUPPLIED TOUCH UP PAINT
TO COAT VISIBLE WOOD FASTENER HEADS.