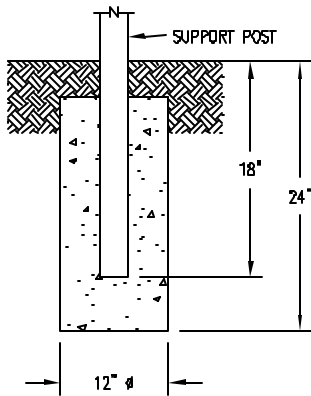
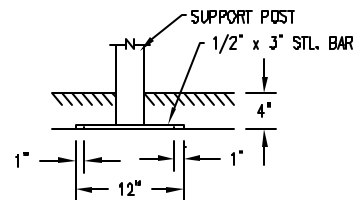
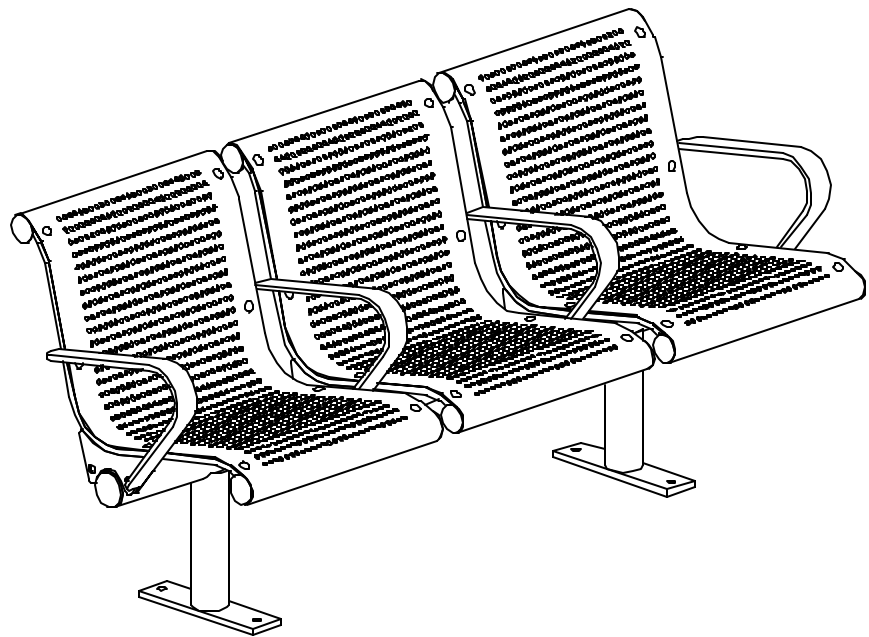
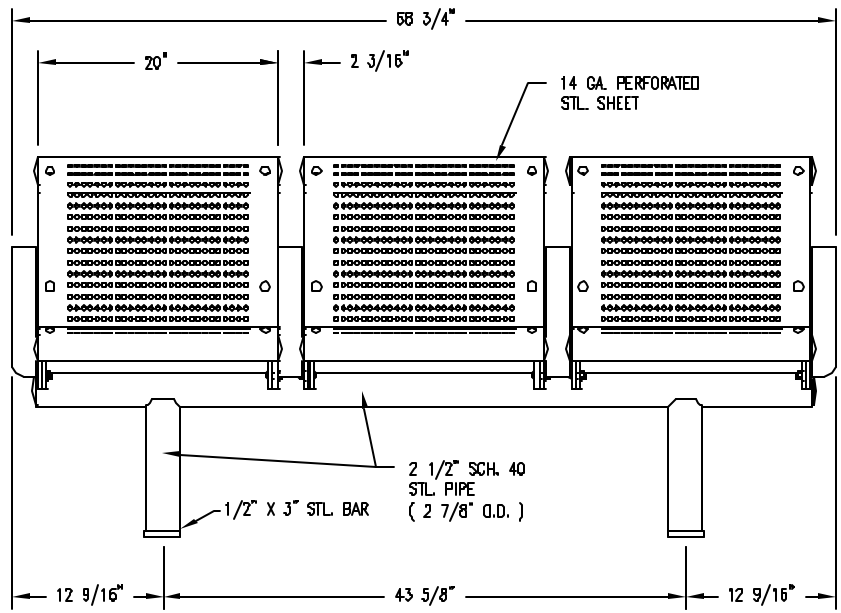


S-2 SURFACE MOUNT



S-1 EMBEDMENT



S-4 SUB FLOOR

NOTES

- 1.) ALL STL. MEMBERS COATED W/ ZINC RICH EPOXY THEN POLYESTER POWDER COATED.
- 2.) 1/2" X 3 3/4" EXPANSION ANCHOR BOLTS PROVIDED FOR OPTIONS S-2 & S-4.



**DuMor, inc.**

P.O. Box 142 Niffllintown, PA 17059-0142

SCALE : NONE  
 DATE DRAWN : 5/16/01  
 DRAWN BY : AWH  
 DATE REV. : 01/12/07  
 REV. BY : ESS

TITLE : BENCH

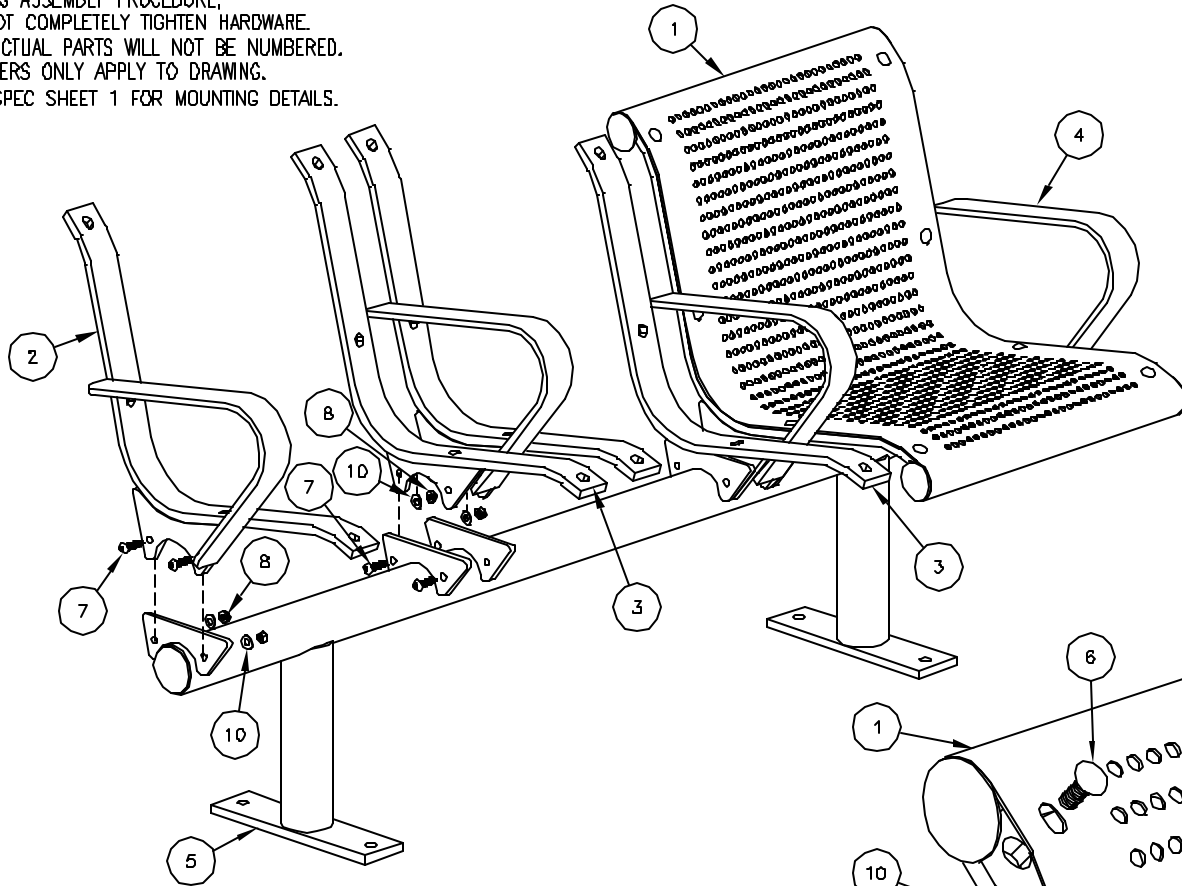
REV. B  
 DRAWING NUMBER 127-30

SHEET 1 OF 1

**NOTE:**

- 1.) DURING ASSEMBLY PROCEDURE;  
DO NOT COMPLETELY TIGHTEN HARDWARE.
- 2.) THE ACTUAL PARTS WILL NOT BE NUMBERED.  
NUMBERS ONLY APPLY TO DRAWING.
- 3.) SEE SPEC SHEET 1 FOR MOUNTING DETAILS.

SURFACE MOUNT OPTION SHOWN



**STEP 1:**

- USE 1 - PCS. THREE SEAT BASE SUPPORT FOR SURFACE MOUNT { 5 }
- 1 - PCS. RIGHT SEAT STRAP W/ ARMREST { 2 }
- 1 - PCS. LEFT SEAT STRAP W/ ARMREST { 4 }
- 4 - PCS. 3/8" X 1 1/4" SS. BTN. SKT. HD. CAP SCR. { 7 }
- 4 - PCS. 3/8" SS. THIN NYLON LOCKNUT { 8 }
- 8 - PCS. 3/8" SS. FLAT WASHER { 10 }

ATTACH RIGHT SEAT STRAP W/ ARMREST { 2 } & LEFT SEAT STRAP W/ ARMREST { 4 } TO THREE SEAT BASE SUPPORT FOR SURFACE MOUNT { 5 } USING HARDWARE { 7, 8 & 10 }. TIGHTEN TO SNUG FIT.

**STEP 2:**

- USE 2 - PCS. CENTER SEAT STRAP W/ ARMREST { 3 }
- 8 - PCS. 3/8" X 1 1/4" SS. BTN. SKT. HD. CAP SCR. { 7 }
- 8 - PCS. 3/8" SS. THIN NYLON LOCKNUT { 8 }
- 16 - PCS. 3/8" SS. FLAT WASHER { 10 }

ATTACH CENTER SEAT STRAP W/ ARMREST { 3 } TO STEP 1 ASSEMBLY USING HARDWARE { 7, 8 & 10 }. TIGHTEN TO SNUG FIT.

**STEP 3:**

- USE 3 - PCS. ALL STL SEAT USING 14 GA. PERF. SH. { 1 }
- 24 - PCS. 3/8" X 1" SS. CGE. BOLT { 6 }
- 24 - PCS. 3/8" SS. HEX NUT { 9 }
- 24 - PCS. 3/8" SS. FLAT WASHER { 10 }

ATTACH ALL STL SEAT 14 GA. PERF. SH. { 1 } TO STEP 2 ASSEMBLY USING HARDWARE { 6, 9 & 10 }. TIGHTEN TO SNUG FIT.

**STEP 4:**

UPON COMPLETION OF BENCH ASSEMBLY SQUARE ALL COMPONENTS THEN TIGHTEN ALL HARDWARE.

**STEP 5:**

MOUNT AND ANCHOR AS SPECIFIED.

ITEM	QTY	PART NO	DESCRIPTION
1	3	0-101-00-02	14 GA PERF STL SEAT
2	1	0-127-01	RIGHT SEAT STRAP W/ ARMREST
3	2	0-127-02	CENTER SEAT STRAP W/ ARMREST
4	1	0-127-03	LEFT SEAT STRAP W/ ARMREST
5	1	0-127-30-04/S-2	3 SEAT SUPPORT FRAME FOR SURFACE MOUNT
6	24	1-11-02B	3/8" X 1" SS CGE BOLT
7	12	1-12-111	3/8" X 1 1/4" SS BTN SKT HD CAP SCR
8	12	1-20-019	3/8" SS THIN NYLON LOCKNUT
9	24	1-21-007	3/8" SS HEX NUT
10	36	1-22-024	3/8" SS FLAT WASHER

DETAIL A

**DuMor, inc.**  
P.O. Box 142 Mifflintown, PA 17059-0142

SCALE : NONE  
DATE DRAWN : 5/15/01  
DRAWN BY : AWH  
DATE REV. : 01/12/07  
REV. BY : ESS

TITLE : BENCH ASSEMBLY  
REV. B DRAWING NUMBER 127-30 SHEET 2 OF 2