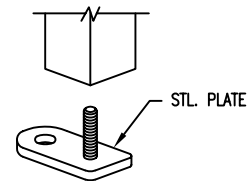


S-1 EMBEDMENT

S-5 FREE
STANDING

NOTES:

- 1.) ALL STL. MEMBERS COATED W/ ZINC RICH EPOXY THEN FINISHED W/ POLYESTER POWDER COATING.
- 2.) COVER HINGES FOR ACCESS TO 22 GAL. PLASTIC LINER.
- 3.) RECEPTACLE SHIPPED FULLY ASSEMBLED.
- 4.) ALL WELDS CONT. THEN GROUND SMOOTH.
- 5.) 1/2" X 3 3/4" EXPANSION ANCHOR BOLTS PROVIDED FOR S-2.



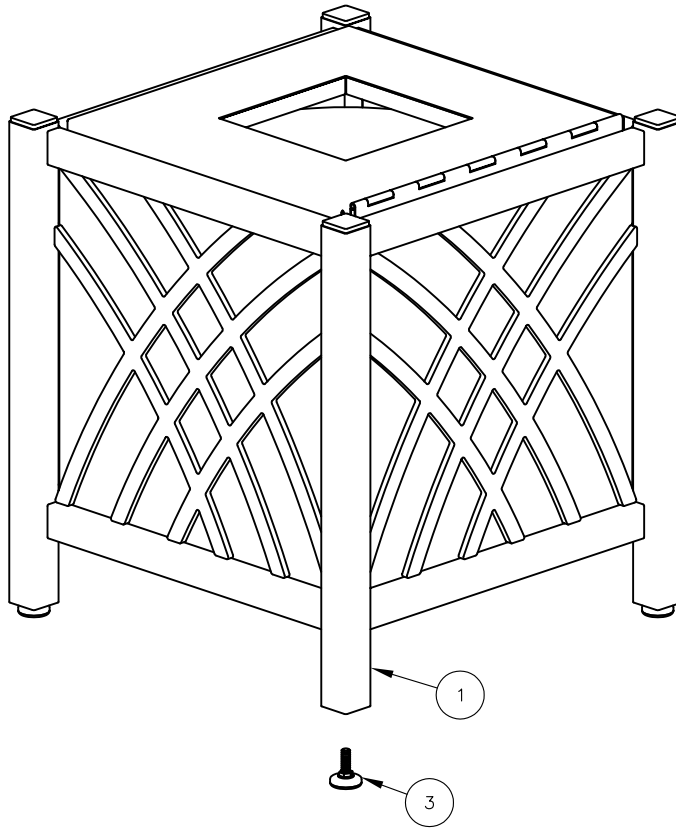
S-2 SURFACE



DuMor, inc.
P.O. Box 142 Mifflintown, PA 17059-0142

SCALE : NONE
DATE DRAWN : 3/22/94
DRAWN BY : AH
DATE REV. : 12/17/09
REV. BY : ESS

TITLE : RECEPTACLE		DRAWING NUMBER 17-22-FT0	SHEET 1 OF 2
REV. F			



NOTE:

- 1.) THE ACTUAL PARTS WILL NOT BE NUMBERED:
NUMBERS ONLY APPLY TO DRAWING.
- 2.) SEE SPEC. SHEET 1 FOR MOUNTING OPTION.

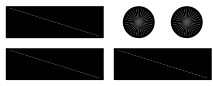
STEP 1:

USE 1 - PC. ALL STL. RECEPTACLE ASSEMBLY (1)
 4 - PCS. 1/2" X 1 1/2" SWIVEL GLIDE (3)
 ATTACH 1/2" X 1 1/2" SWIVEL GLIDE (3) TO ALL
 STL. RECEPTACLE ASSEMBLY (1). ADJUST TO DESIRED LEVEL.

STEP 2:

MOUNT AND ANCHOR AS SPECIFIED.

ITEM	QTY	PART NO	DESCRIPTION
1	1	0-17-20-FTO	20 GAL RECEPT BODY W/ HNGD FLT CVR
2	1	49-22	22 GAL PL LINER W/HANDLE, BLK
3	4	5-48-078	1/2" X 1 1/2" SWIVEL GLIDE

 DuMor, inc. P.O. Box 142 Mifflintown, PA 17059-0142	SCALE :	NONE	TITLE : <h2 style="margin: 0;">RECEPTACLE ASSEMBLY</h2>		
	DATE DRAWN :	3/22/94			
	DRAWN BY :	AH	REV. <h1 style="margin: 0;">F</h1>	DRAWING NUMBER <h2 style="margin: 0;">17-22-FTO</h2>	SHEET 2 OF 2
	DATE REV. :	12/17/09			
	REV. BY :	AWH			