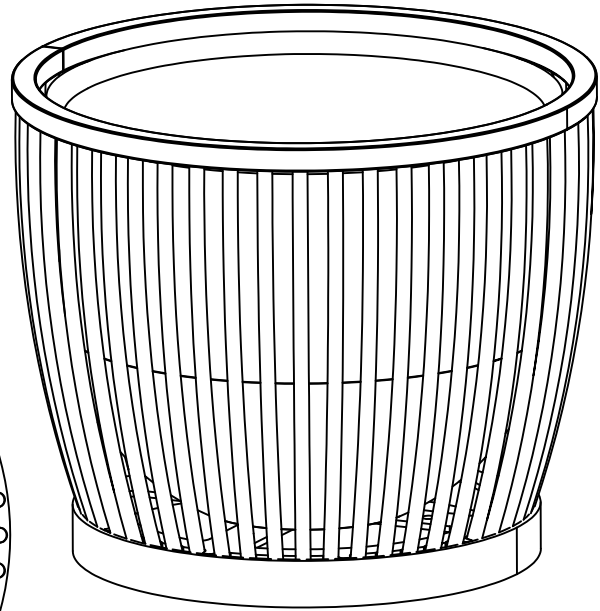
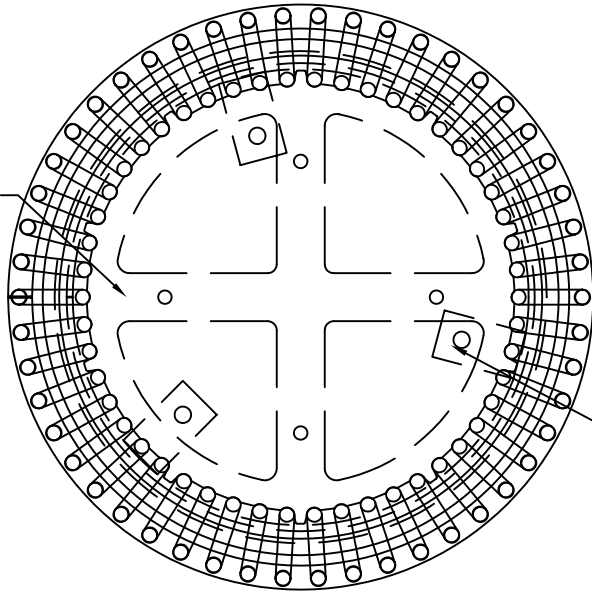
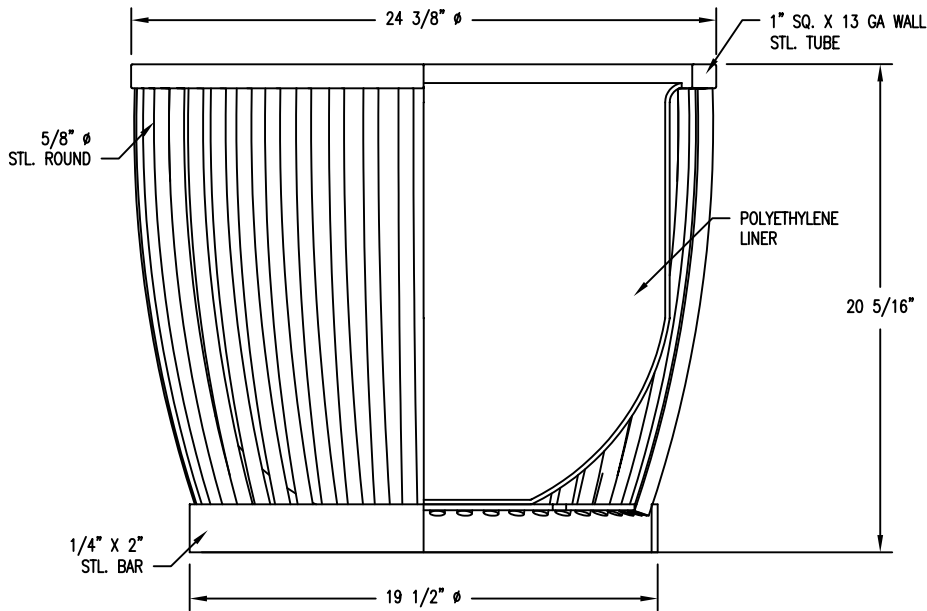


1/4" THK.  
STL. PLATE

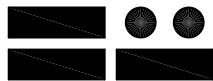


1/4" X 2" STL.  
ANCHOR PLATE W/  
11/16" Ø HOLE  
( 3-PLACES )



NOTES

- 1.) ALL STL. MEMBERS COATED W/ ZINC RICH EPOXY THEN FINISHED W/ POLYESTER POWDER COATING.
- 2.) 1/2" X 3 3/4" EXPANSION ANCHOR BOLTS PROVIDED.



DuMor, inc.

P.O. Box 142 Mifflintown, PA 17059-0142

SCALE : NONE  
 DATE DRAWN : 05/25/11  
 DRAWN BY : ESS  
 DATE REV. :  
 REV. BY :

TITLE :

PLANTER

REV.

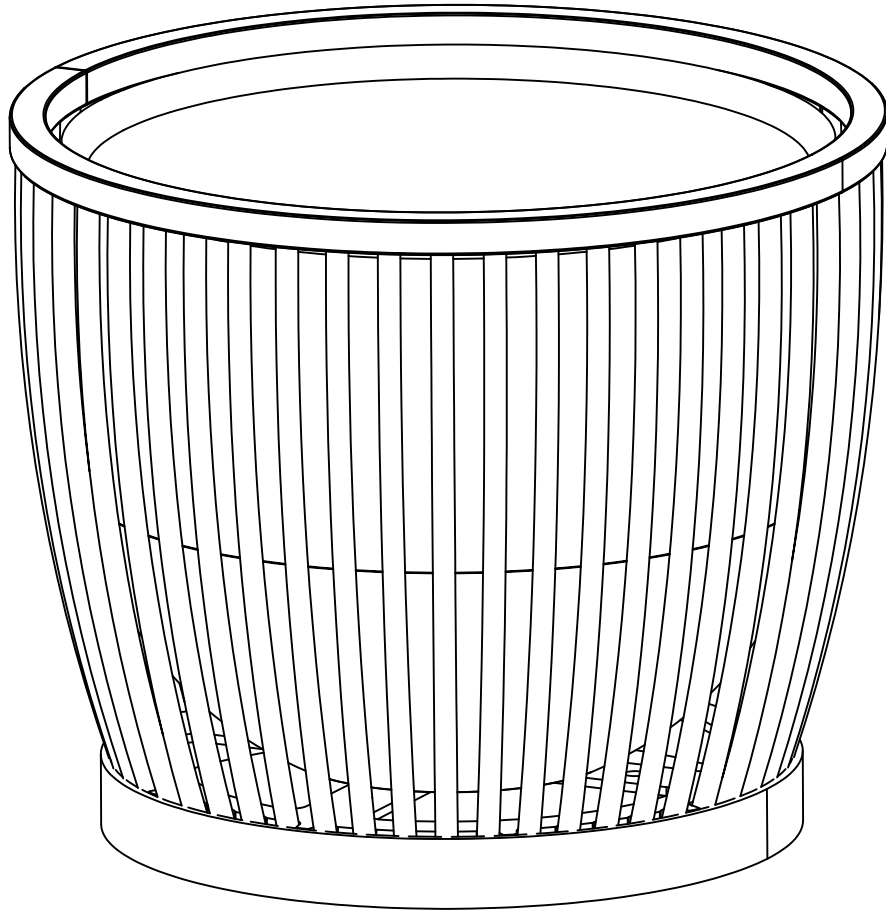
DRAWING  
NUMBER

A

430-00

SHEET

1 OF 2



NOTE:

- 1.) PLANTER SHIPPED FULLY ASSEMBLED.
- 2.) MOUNT AND ANCHOR AS SPECIFIED.



**DuMor, inc.**

P.O. Box 142 Mifflintown, PA 17059-0142

SCALE :	NONE
DATE DRAWN :	08/09/11
DRAWN BY :	ESS
DATE REV. :	
REV. BY :	

TITLE :	PLANTER		
REV.	A	DRAWING NUMBER	430-00
			SHEET 2 OF 2