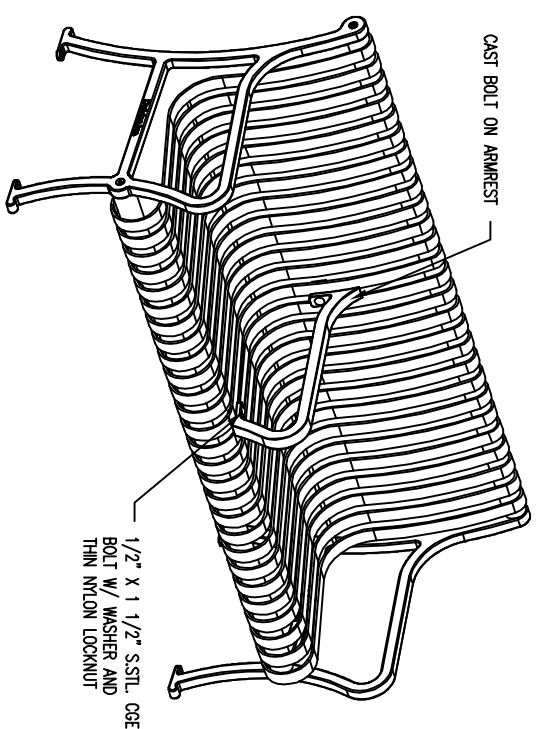


- LENGTH OPTIONS**
- 6' BENCH
  - 8' BENCH
- NOTES**
- 1.) ALL STL. MEMBERS COATED W/ ZINC RICH EPOXY THEN FINISHED W/ POLYESTER POWDER COATING.
  - 2.) 1/2" X 3 3/4" EXPANSION ANCHOR BOLTS PROVIDED.

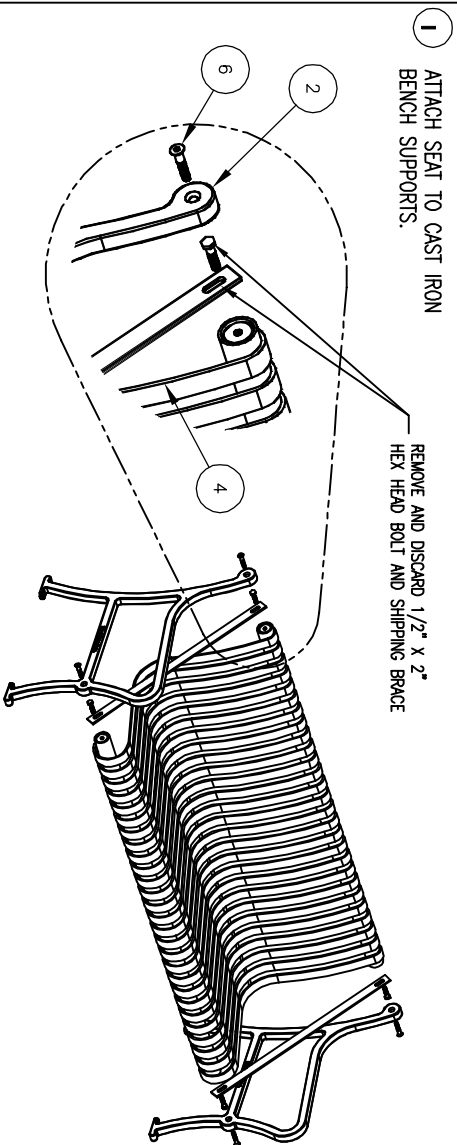


BENCH

DATE DRAWN : 9/21/01
DRAWN BY : JSB
DATE REV. : 5/20/08
REV. BY : AH

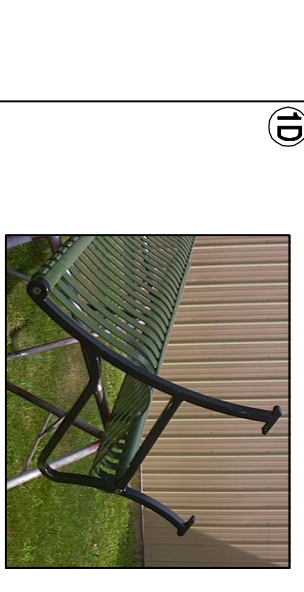
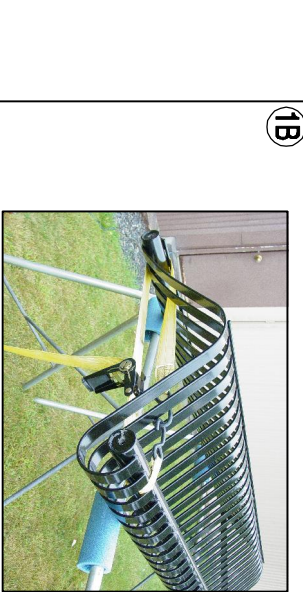
REV. E	DRAWING NUMBER
--------	----------------

93 SERIES 3AR



PARTS LIST			DESCRIPTION
ITEM	QTY	PART NO	
1	2	0-58-00AR-04	ARMREST BOLT CUP
2	2	0-93-00-02	CAST IRON BENCH SUPPORT
3	1	0-93-00AR-07	CAST IRON ARMREST
4	1	0-93-60	6\"/>

KITS PROVIDED			DESCRIPTION
9	1	K-ANCO860-4	1/2\"/>



**NOTES:**

- 1.) DURING ASSEMBLY PROCEDURE: DO NOT COMPLETELY TIGHTEN HARDWARE.
- 2.) THE ACTUAL PARTS WILL NOT BE NUMBERED. NUMBERS ONLY APPLY TO DRAWING.
- 3.) UPON COMPLETION OF ASSEMBLY SQUARE ALL COMPONENTS THEN TIGHTEN ALL HARDWARE.
- 4.) MOUNT AND ANCHOR AS SPECIFIED.

**2** ATTACH CAST IRON ARMREST TO STEP 1.

