

PLASTIC OPTIONS

- "CEDAR" RECYCLED PLASTIC
- "GREY" RECYCLED PLASTIC
- "REDWOOD" RECYCLED PLASTIC
- "WALNUT" RECYCLED PLASTIC
- OTHER \_\_\_\_\_

NOTES:

- 1.) ALL STL. MEMBERS COATED W/ ZINC RICH EPOXY THEN FINISHED W/ POLYESTER POWDER COATING.
- 2.) 1/2" X 3 3/4" ANCHOR BOLTS PROVIDED.



TABLE

DATE DRAWN : 05/30/24  
 DRAWN BY : RDH  
 DATE REV. : 00/00/00  
 REV. BY : XXX

REV.  
A

DRAWING  
NUMBER

537-42PL

SHEET  
1 OF 2

**NOTES:**

- 1.) DURING ASSEMBLY PROCEDURE;  
DO NOT COMPLETELY TIGHTEN HARDWARE.
- 2.) THE ACTUAL PARTS WILL NOT BE NUMBERED.  
NUMBERS ONLY APPLY TO DRAWING.
- 3.) UPON COMPLETION OF ASSEMBLY SQUARE  
ALL COMPONENTS THEN TIGHTEN ALL HARDWARE.
- 4.) MOUNT AND ANCHOR AS SPECIFIED.

**TOOLS REQ'D**

- 3/4" WRENCH
- 1/2" MASONRY DRILL BIT
- DRILL

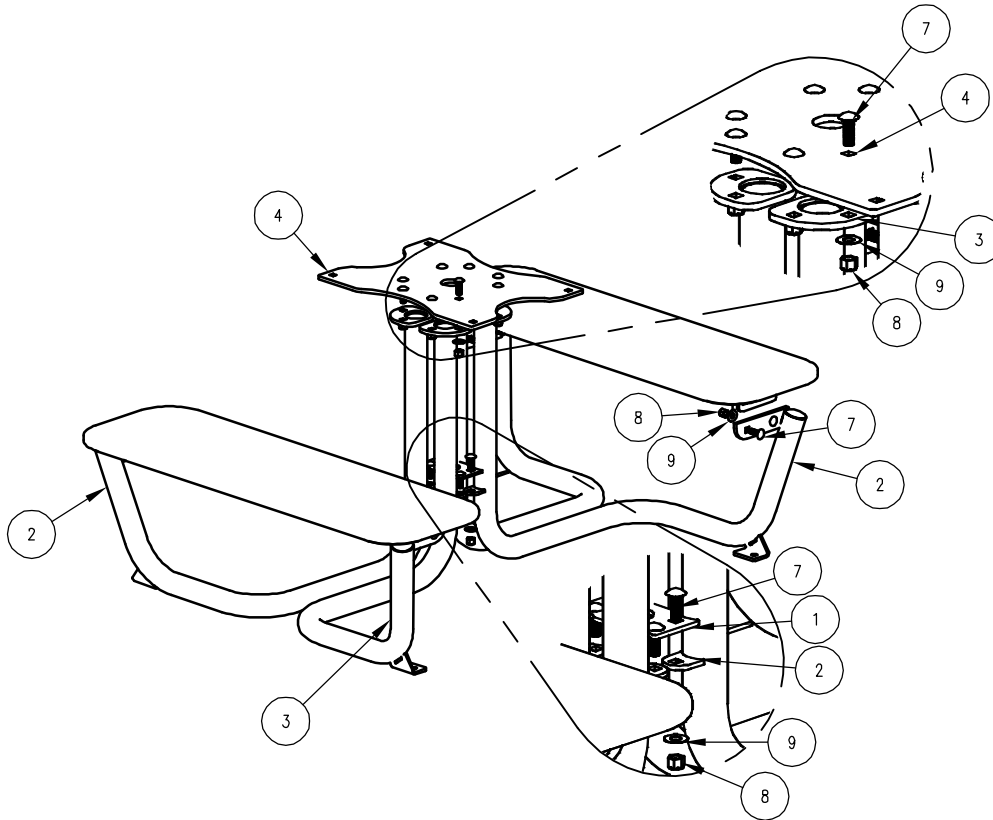
**PARTS LIST**

ITEM	QTY	PART NO	DESCRIPTION
1	1	0-537-00-04	CENTER CONNECTING PLATE
2	2	0-537-40-01L	4' TABLE SUPPORT FRAME, LEFT
3	2	0-537-40-01R	4' TABLE SUPPORT FRAME, RIGHT
4	1	0-537-41-01	TABLE TOP FRAME
5	1	0-537-42PL	4' TABLE TOP ASSEMBLY, PL
6	2	0-537-42PL-1	4' SEAT ASSEMBLY, PL
7	24	1-11-042	1/2" X 1 1/2" SS CGE BOLT
8	24	1-20-015	1/2" SS NYLON LOCKNUT
9	24	1-22-015	1/2" SS FLAT WASHER

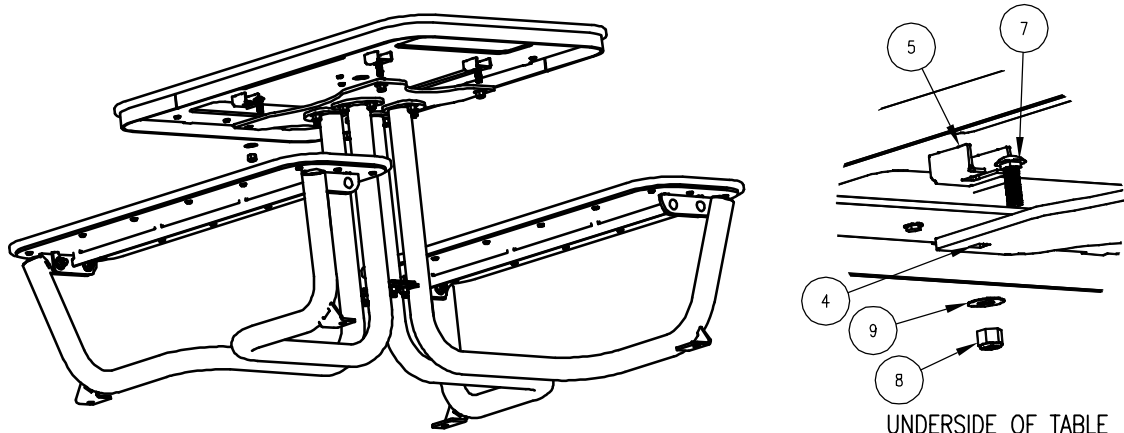
**KITS PROVIDED**

ITEM	QTY	PART NO	DESCRIPTION
10	1	K-ANCO860-4	1/2" X 3 3/4" SS ANCHOR KIT (4PC)
11	6	K-CG0824-4L	1/2" CGE BOLT HARDWARE KIT (4)

**1** ATTACH SUPPORTS TOGETHER. ATTACH TABLE TOP FRAME AND SEATS.



**2** ATTACH TABLE TOP.



**ASSEMBLY INSTRUCTIONS**

DATE DRAWN : 11/05/24  
 DRAWN BY : ESS  
 DATE REV. : 00/00/00  
 REV. BY : XXX

REV.  
A

DRAWING NUMBER  
537-42PL

SHEET  
2 OF 2