

SLAT OPTIONS

- WOOD
- RECYCLED PLASTIC
- WOOD GRAIN RECYCLED PLASTIC

NOTES:

- 1.) ALL STL. MEMBERS COATED W/ ZINC RICH EPOXY THEN FINISHED W/ POLYESTER POWDER COATING.
- 2.) 1/2" X 3 3/4" ANCHOR BOLTS PROVIDED.



TABLE

DATE DRAWN : 11/19/24
 DRAWN BY : ESS
 DATE REV. : 00/00/00
 REV. BY : XXX

REV.
A

DRAWING
NUMBER

537-61

SHEET
1 OF 2

NOTES:

- 1.) DURING ASSEMBLY PROCEDURE;
DO NOT COMPLETELY TIGHTEN HARDWARE.
- 2.) THE ACTUAL PARTS WILL NOT BE NUMBERED.
NUMBERS ONLY APPLY TO DRAWING.
- 3.) UPON COMPLETION OF ASSEMBLY SQUARE
ALL COMPONENTS THEN TIGHTEN ALL HARDWARE.
- 4.) MOUNT AND ANCHOR AS SPECIFIED.

TOOLS REQ'D

- 3/4" WRENCH
- 1/4" ALLEN WRENCH
- 1/2" MASONRY DRILL BIT
- DRILL

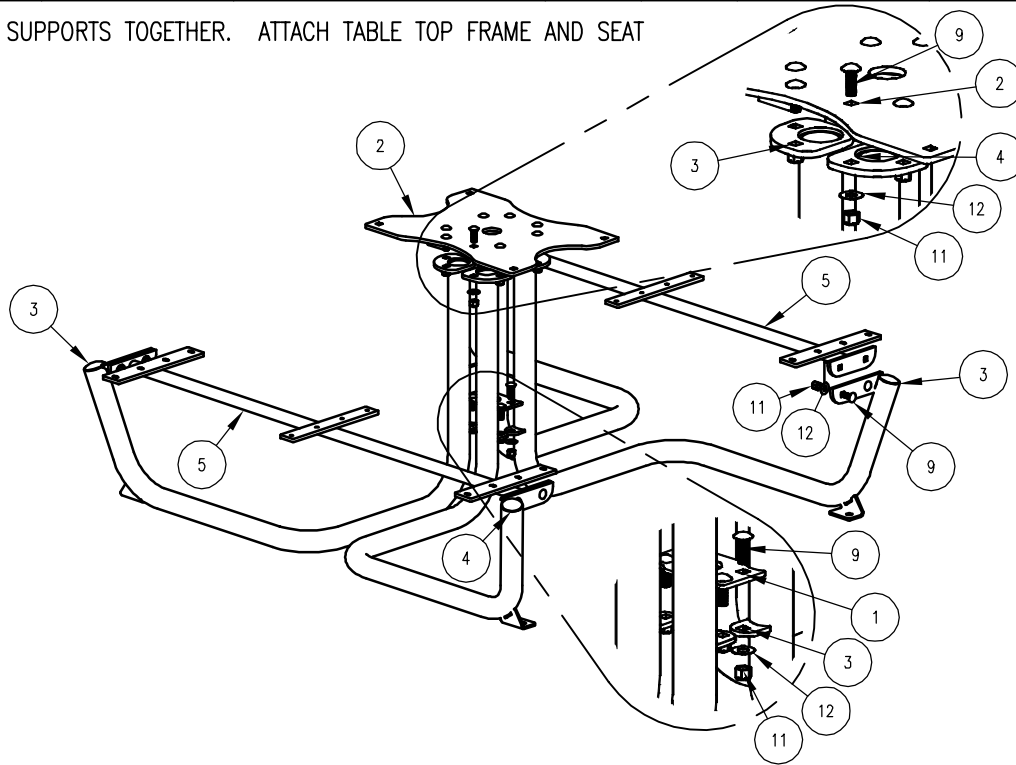
PARTS LIST

ITEM	QTY	PART NO	DESCRIPTION
1	1	0-537-00-04	CENTER CONNECTING PLATE
2	1	0-537-41-01	TABLE TOP FRAME
3	2	0-537-60-01L	TABLE SUPPORT FRAME, LEFT
4	2	0-537-60-01R	TABLE SUPPORT FRAME, RIGHT
5	2	0-537-60-03	6' SEAT BRACE
6	4	0-537-60-05	2" X 4" X 71" INTR SLAT
7	4	0-537-60-06	2" X 4" X 71" EDGE SLAT
8	1	0-537-61-02	6' STL TABLE TOP
9	24	1-11-042	1/2" X 1 1/2" SS CGE BOLT
10	24	1-13-023	5/16" X 1 1/4" SS BTN SKT HD LAG
11	24	1-20-015	1/2" SS NYLON LOCKNUT
12	24	1-22-015	1/2" SS FLAT WASHER
13	24	1-22-017	5/16" SS FLAT WASHER

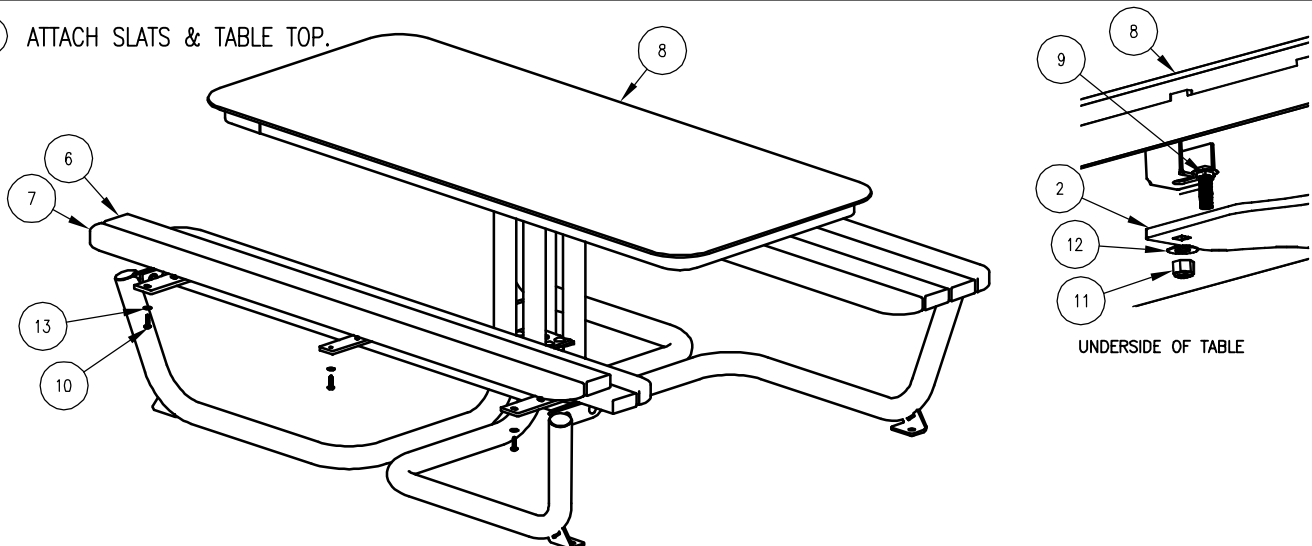
KITS PROVIDED

ITEM	QTY	PART NO	DESCRIPTION
14	1	K-ANCO860-4	1/2" X 3 3/4" SS ANCHOR KIT (4PC)
15	1	K-BL0524-24	5/16" LAG HARDWARE KIT (24PC)
16	6	K-CG0824-4L	1/2" CGE BOLT HARDWARE KIT (4)

1 ATTACH SUPPORTS TOGETHER. ATTACH TABLE TOP FRAME AND SEAT BRACES



2 ATTACH SLATS & TABLE TOP.



ASSEMBLY INSTRUCTIONS

DATE DRAWN : 11/19/24
 DRAWN BY : ESS
 DATE REV. : 00/00/00
 REV. BY : XXX

REV. A

DRAWING NUMBER

537-61

SHEET 2 OF 2