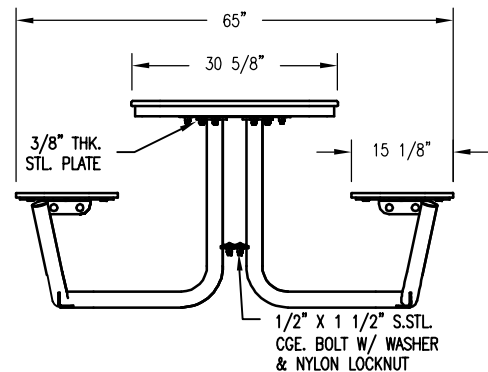
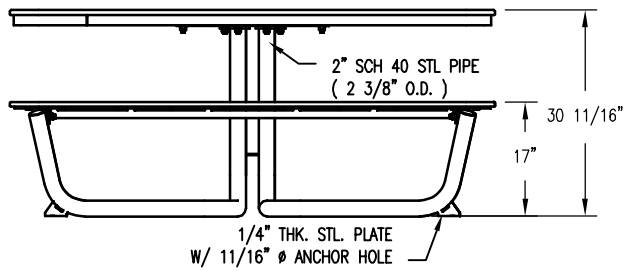
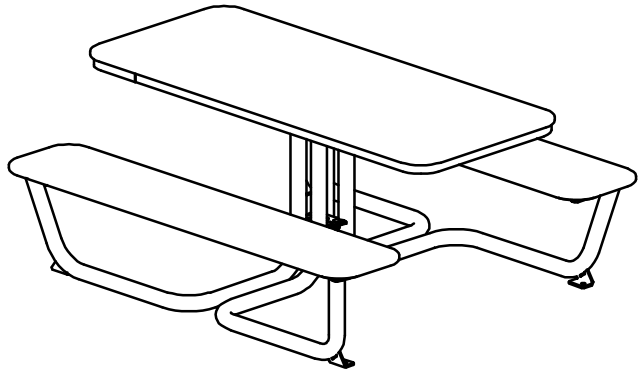


3/4" THK. SHEET PLASTIC  
( SEE PLASTIC OPTIONS )



PLASTIC OPTIONS

- "CEDAR" RECYCLED PLASTIC
- "GREY" RECYCLED PLASTIC
- "REDWOOD" RECYCLED PLASTIC
- "WALNUT" RECYCLED PLASTIC
- OTHER \_\_\_\_\_

NOTES:

- 1.) ALL STL. MEMBERS COATED W/ ZINC RICH EPOXY THEN FINISHED W/ POLYESTER POWDER COATING.
- 2.) 1/2" X 3 3/4" ANCHOR BOLTS PROVIDED.



TABLE

DATE DRAWN : 11/19/24  
 DRAWN BY : ESS  
 DATE REV. : 00/00/00  
 REV. BY : XXX

REV.  
A

DRAWING  
NUMBER

537-62PL

SHEET  
1 OF 2

**NOTES:**

- 1.) DURING ASSEMBLY PROCEDURE;  
DO NOT COMPLETELY TIGHTEN HARDWARE.
- 2.) THE ACTUAL PARTS WILL NOT BE NUMBERED.  
NUMBERS ONLY APPLY TO DRAWING.
- 3.) UPON COMPLETION OF ASSEMBLY SQUARE  
ALL COMPONENTS THEN TIGHTEN ALL HARDWARE.
- 4.) MOUNT AND ANCHOR AS SPECIFIED.

**TOOLS REQ'D**  
 3/4" WRENCH  
 1/2" MASONRY DRILL BIT  
 DRILL

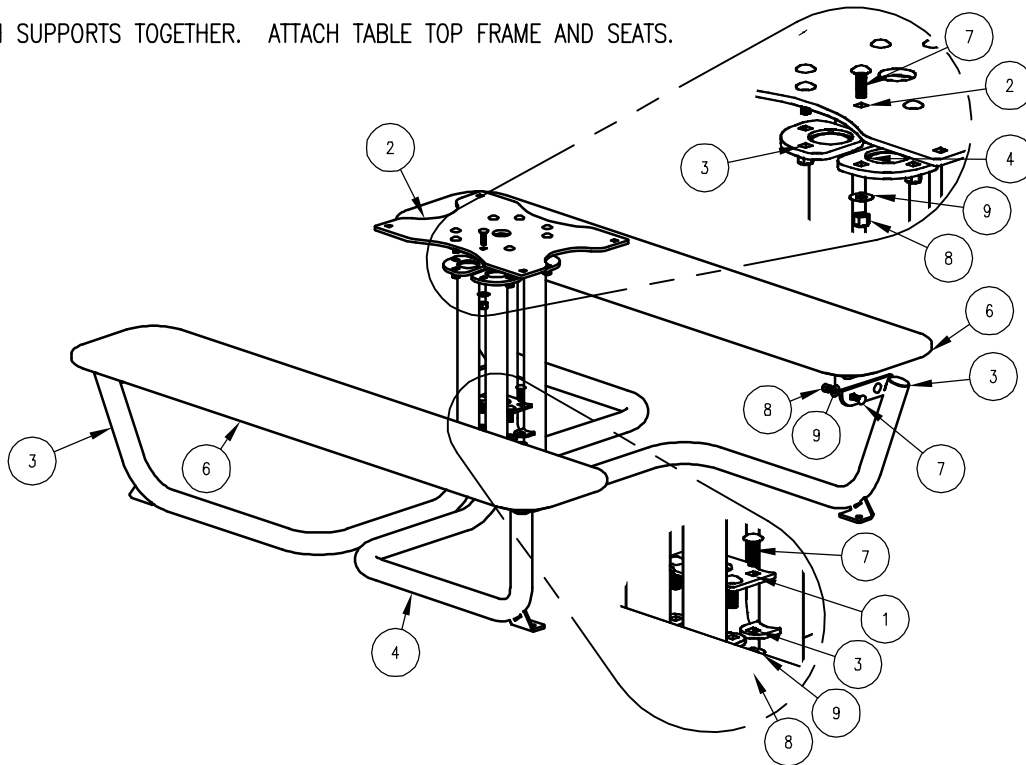
**PARTS LIST**

ITEM	QTY	PART NO	DESCRIPTION
1	1	0-537-00-04	CENTER CONNECTING PLATE
2	1	0-537-41-01	TABLE TOP FRAME
3	2	0-537-60-01L	TABLE SUPPORT FRAME, LEFT
4	2	0-537-60-01R	TABLE SUPPORT FRAME, RIGHT
5	1	0-537-62PL	6' TABLE TOP ASSEMBLY, PL
6	2	0-537-62PL-1	6' SEAT ASSEMBLY, PL
7	24	1-11-042	1/2" X 1 1/2" SS CGE BOLT
8	24	1-20-015	1/2" SS NYLON LOCKNUT
9	24	1-22-015	1/2" SS FLAT WASHER

**KITS PROVIDED**

ITEM	QTY	PART NO	DESCRIPTION
10	1	K-ANCO860-4	1/2" X 3 3/4" SS ANCHOR KIT (4PC)
11	6	K-CG0824-4L	1/2" CGE BOLT HARDWARE KIT (4)

① ATTACH SUPPORTS TOGETHER. ATTACH TABLE TOP FRAME AND SEATS.



② ATTACH TABLE TOP.

