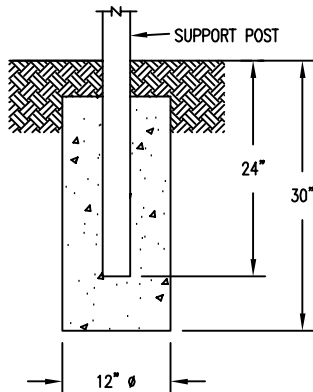
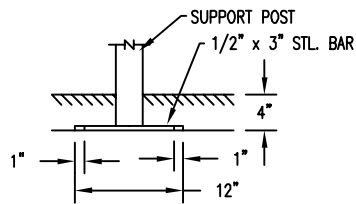


S-2 SURFACE MOUNT



S-1 EMBEDMENT



S-4 SUB FLOOR

SLAT OPTIONS

- WOOD
- RECYCLED PLASTIC
- WOOD GRAIN RECYCLED PLASTIC

NOTES:

- 1.) ALL STL. MEMBERS COATED W/ ZINC RICH EPOXY THEN FINISHED W/ POLYESTER POWDER COATING.
- 2.) 1/2" X 3 3/4" EXPANSION ANCHOR BOLTS PROVIDED S-2 & S-4 OPTIONS.



BENCH

DATE DRAWN : 1/14/25  
 DRAWN BY : JSB  
 DATE REV. :  
 REV. BY :

REV.  
A

DRAWING  
NUMBER

535-60

SHEET  
1 OF 2

**NOTES:**

- 1.) DURING ASSEMBLY PROCEDURE;  
DO NOT COMPLETELY TIGHTEN HARDWARE.
- 2.) THE ACTUAL PARTS WILL NOT BE NUMBERED.  
NUMBERS ONLY APPLY TO DRAWING.
- 3.) UPON COMPLETION OF ASSEMBLY SQUARE  
ALL COMPONENTS THEN TIGHTEN ALL HARDWARE.
- 4.) MOUNT AND ANCHOR AS SPECIFIED.

**TOOLS REQ'D**

- 3/4" WRENCH
- 1/4" ALLEN WRENCH
- 1/2" MASONRY DRILL BIT
- DRILL

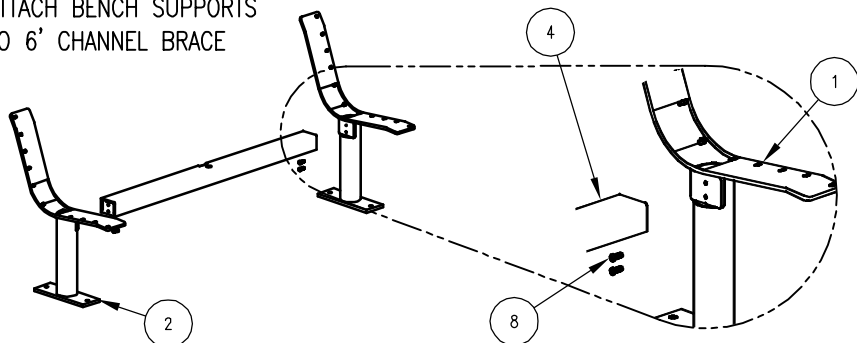
**PARTS LIST FOR S-2**

ITEM	QTY	PART NO	DESCRIPTION
1	1	0-535-00-01L/2	LEFT PEDESTAL SUPPORT, SURFACE MT.
2	1	0-535-00-01R/2	RIGHT PEDESTAL SUPPORT, SURFACE MT.
3	1	0-535-00-02	3/8" X 4 1/2" CENTER CONTOUR STRAP
4	1	0-535-6-03	6' CHANNEL BRACE
5	9	0-535-60-04	2" X 3" X 71" INT'R SLAT
6	2	0-535-60-05	2" X 4" X 71" EDGE SLAT
7	1	1-11-028	3/8" X 1" SS CGE BOLT
8	4	1-12-097	3/8" X 1" SS BTN SKT HD CAP SCR
9	33	1-13-023	5/16" X 1 1/4" SS BTN SKT HD LAG
10	1	1-20-019	3/8" SS THIN NYLON LOCKNUT
11	33	1-22-017	5/16" SS FLAT WASHER
12	1	1-22-024	3/8" SS FLAT WASHER

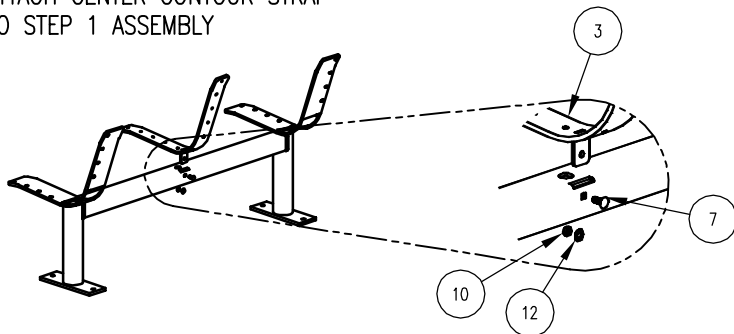
**KITS PROVIDED FOR S-2**

ITEM	QTY	PART NO	DESCRIPTION
13	1	K-ANCO860-4	1/2" X 3 3/4" SS ANCHOR KIT (4PC)
14	1	K-BCO616-4	3/8" CAP SCR HARDWARE KIT (4 PC)
15	1	K-BL0524-33	5/16" LAG HARDWARE KIT (33PC)
16	1	K-CG0616-2TL	3/8" CGE BOLT HARDWARE KIT (2PC)

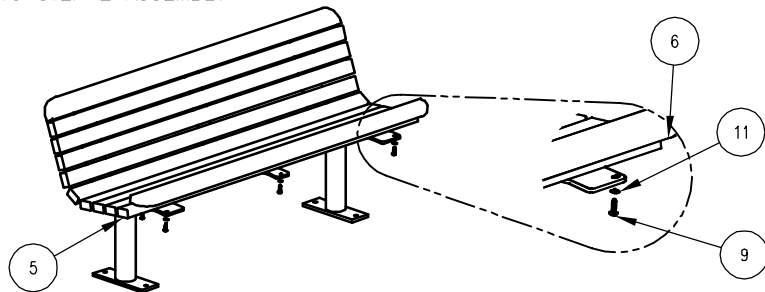
**1** ATTACH BENCH SUPPORTS TO 6' CHANNEL BRACE



**2** ATTACH CENTER CONTOUR STRAP TO STEP 1 ASSEMBLY



**3** ATTACH SLATS TO STEP 2 ASSEMBLY



ASSEMBLY INSTRUCTIONS

DATE DRAWN : 1/14/25  
 DRAWN BY : JSB  
 DATE REV. : 00/00/00  
 REV. BY : XXX

REV. A

DRAWING NUMBER

535-60

SHEET 2 OF 2