

SLAT OPTIONS

- WOOD
- RECYCLED PLASTIC
- WOOD GRAIN RECYCLED PLASTIC

NOTES:

- 1.) ALL STL. MEMBERS COATED W/ ZINC RICH EPOXY THEN FINISHED W/ POLYESTER POWDER COATING.



BENCH

DATE DRAWN : 12/27/24
 DRAWN BY : JSB
 DATE REV. :
 REV. BY :

REV.
A

DRAWING
NUMBER

535-60/S-5

SHEET
1 OF 2

NOTES:

- 1.) DURING ASSEMBLY PROCEDURE;
DO NOT COMPLETELY TIGHTEN HARDWARE.
- 2.) THE ACTUAL PARTS WILL NOT BE NUMBERED.
NUMBERS ONLY APPLY TO DRAWING.
- 3.) UPON COMPLETION OF ASSEMBLY SQUARE
ALL COMPONENTS THEN TIGHTEN ALL HARDWARE.
- 4.) MOUNT AND ANCHOR AS SPECIFIED.

TOOLS REQ'D

- 3/4" WRENCH
- 9/16" WRENCH
- 3/16" ALLEN WRENCH

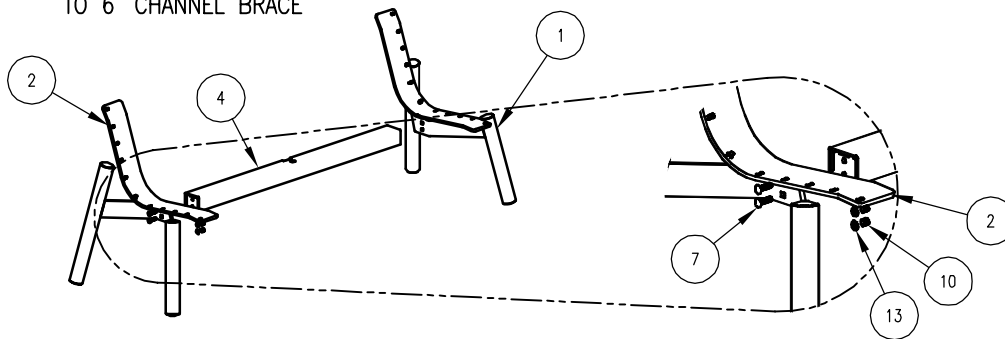
PARTS LIST FOR S-5

ITEM	QTY	PART NO	DESCRIPTION
1	1	0-535-00-01L/S5	LEFT SUPPORT, FREE STD
2	1	0-535-00-01R/S5	RIGHT SUPPORT, FREE STD
3	1	0-535-00-02	3/8" X 4 1/2" CENTER CONTOUR STRAP
4	1	0-535-6-03	6' CHANNEL BRACE
5	9	0-535-60-04	2" X 3" X 71" INT'R SLAT
6	2	0-535-60-05	2" X 4" X 71" EDGE SLAT
7	4	1-11-003	3/8" X 1 1/2" SS CGE BOLT
8	1	1-11-028	3/8" X 1" SS CGE BOLT
9	33	1-13-023	5/16" X 1 1/4" SS BTN SKT HD LAG
10	4	1-20-007	3/8" SS NYLON LOCKNUT
11	1	1-20-019	3/8" SS THIN NYLON LOCKNUT
12	33	1-22-017	5/16" SS FLAT WASHER
13	5	1-22-024	3/8" SS FLAT WASHER

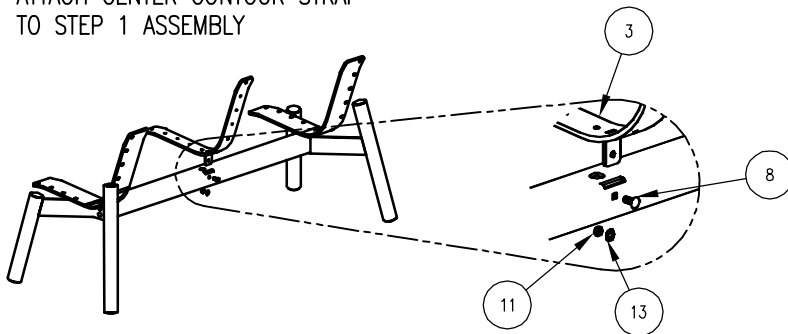
KITS PROVIDED FOR S-5

ITEM	QTY	PART NO	DESCRIPTION
14	1	K-BL0524-33	5/16" LAG HARDWARE KIT (33PC)
15	1	K-CG0616-2TL	3/8" CGE BOLT HARDWARE KIT (2PC)
16	1	K-CG0624-4L	3/8" CGE BOLT HARDWARE KIT (4PC)

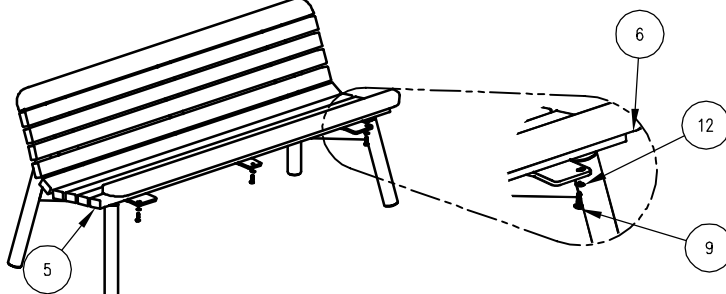
1 ATTACH BENCH SUPPORTS
TO 6' CHANNEL BRACE



2 ATTACH CENTER CONTOUR STRAP
TO STEP 1 ASSEMBLY



3 ATTACH SLATS
TO STEP 2 ASSEMBLY



ASSEMBLY
INSTRUCTIONS

DATE DRAWN : 12/27/24
DRAWN BY : JSB
DATE REV. :
REV. BY :

REV.
A

DRAWING
NUMBER

535-60/S-5

SHEET
2 OF 2