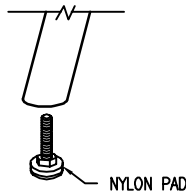


ANCHOR PLATE



NYLON GLIDE

NOTES:

SLAT OPTIONS  
 WOOD  
 RECYCLED PLASTIC  
 WOOD GRAIN RECYCLED PLASTIC

- 1.) ALL STL. MEMBERS COATED W/ ZINC RICH EPOXY THEN FINISHED W/ POLYESTER POWDER COATING.
- 2.) 1/2" X 3 3/4" EXPANSION ANCHOR BOLTS & 1/2" X 1" NYLON GLIDES PROVIDED.



BENCH

DATE DRAWN : 12/27/24  
 DRAWN BY : JSB  
 DATE REV. : 04/01/25  
 REV. BY : RDH

REV.  
B

DRAWING  
NUMBER

535-60/S-5

SHEET  
1 OF 2

**NOTES:**

- 1.) DURING ASSEMBLY PROCEDURE;  
DO NOT COMPLETELY TIGHTEN HARDWARE.
- 2.) THE ACTUAL PARTS WILL NOT BE NUMBERED.  
NUMBERS ONLY APPLY TO DRAWING.
- 3.) UPON COMPLETION OF ASSEMBLY SQUARE  
ALL COMPONENTS THEN TIGHTEN ALL HARDWARE.
- 4.) MOUNT AND ANCHOR AS SPECIFIED.

**PARTS LIST FOR S-5**

| ITEM | QTY | PART NO         | DESCRIPTION                        |
|------|-----|-----------------|------------------------------------|
| 1    | 1   | 0-535-00-01L/S5 | LEFT SUPPORT, FREE STD             |
| 2    | 1   | 0-535-00-01R/S5 | RIGHT SUPPORT, FREE STD            |
| 3    | 1   | 0-535-00-02     | 3/8" X 4 1/2" CENTER CONTOUR STRAP |
| 4    | 4   | 0-535-00-07     | STL ANCHOR PLATE                   |
| 5    | 1   | 0-535-6-03      | 6' CHANNEL BRACE                   |
| 6    | 9   | 0-535-60-04     | 2" X 3" X 71" INT'R SLAT           |
| 7    | 2   | 0-535-60-05     | 2" X 4" X 71" EDGE SLAT            |
| 8    | 4   | 1-11-003        | 3/8" X 1 1/2" SS CGE BOLT          |
| 9    | 1   | 1-11-028        | 3/8" X 1" SS CGE BOLT              |
| 10   | 33  | 1-13-023        | 5/16" X 1 1/4" SS BTN SKT HD LAG   |
| 11   | 4   | 1-20-007        | 3/8" SS NYLON LOCKNUT              |
| 12   | 1   | 1-20-019        | 3/8" SS THIN NYLON LOCKNUT         |
| 13   | 33  | 1-22-017        | 5/16" SS FLAT WASHER               |
| 14   | 5   | 1-22-024        | 3/8" SS FLAT WASHER                |
| 15   | 4   | 5-48-096        | 1/2" X 1" SWIVEL GLIDE             |

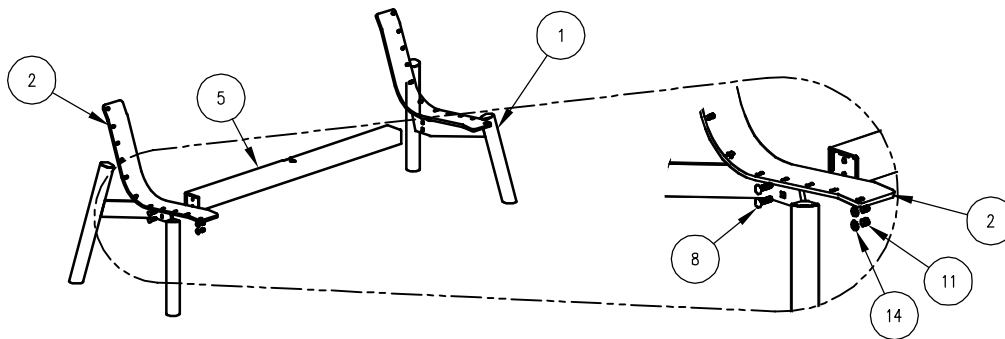
**TOOLS REQ'D**

- 3/4" WRENCH
- 9/16" WRENCH
- 3/16" ALLEN WRENCH
- 1/2" MASONRY DRILL BIT
- DRILL

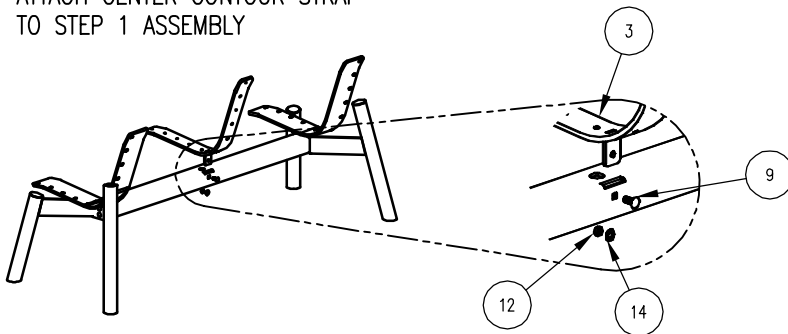
**KITS PROVIDED**

| ITEM | QTY | PART NO      | DESCRIPTION                       |
|------|-----|--------------|-----------------------------------|
| 16   | 1   | K-ANC0860-4  | 1/2" X 3 3/4" SS ANCHOR KIT (4PC) |
| 17   | 1   | K-BL0524-33  | 5/16" LAG HARDWARE KIT (33PC)     |
| 18   | 1   | K-CG0616-2TL | 3/8" CGE BOLT HARDWARE KIT (2PC)  |
| 19   | 1   | K-CG0624-4L  | 3/8" CGE BOLT HARDWARE KIT (4PC)  |
| 20   | 1   | K-GL0816-4   | 1/2" X 1" GLIDE KIT (4PCS)        |

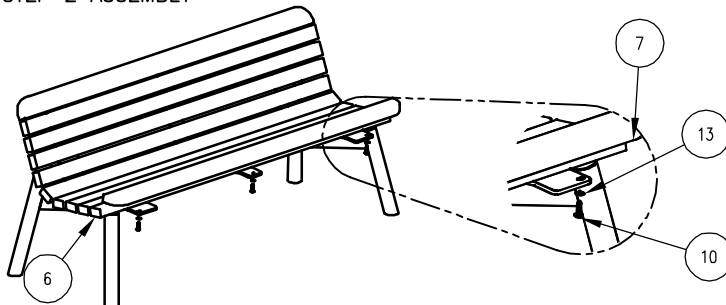
**1 ATTACH BENCH SUPPORTS TO 6' CHANNEL BRACE**



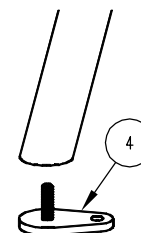
**2 ATTACH CENTER CONTOUR STRAP TO STEP 1 ASSEMBLY**



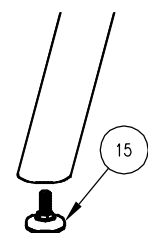
**3 ATTACH SLATS TO STEP 2 ASSEMBLY**



**OPTIONAL ANCHOR PLATE DETAIL (PROVIDED)**



**OPTIONAL GLIDE DETAIL (PROVIDED)**



**ASSEMBLY INSTRUCTIONS**

DATE DRAWN : 12/27/24  
 DRAWN BY : JSB  
 DATE REV. : 04/01/25  
 REV. BY : RDH

REV.  
B

DRAWING NUMBER

535-60/S-5

SHEET  
2 OF 2